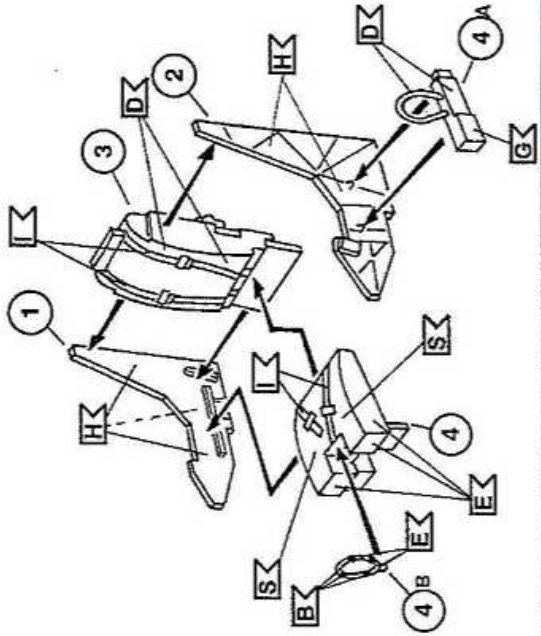
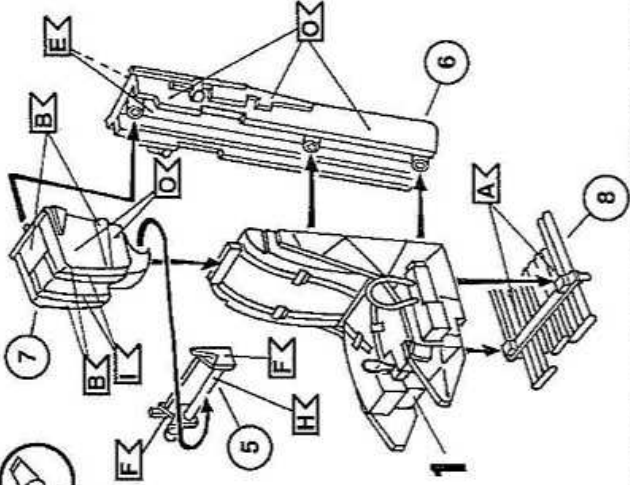


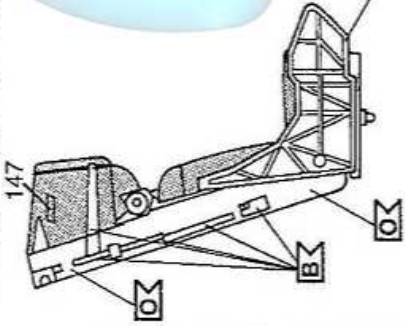
1 **2x**



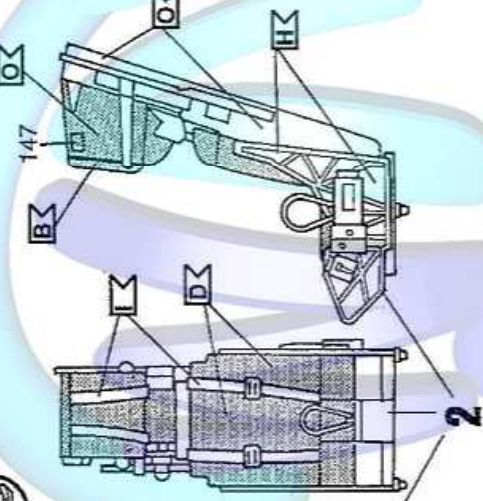
2 **2x**



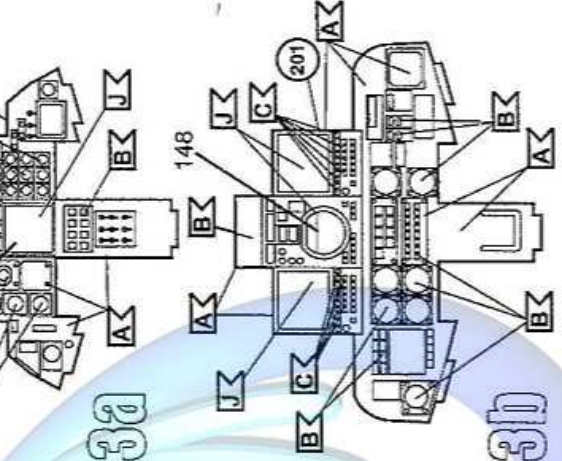
3 **2x**



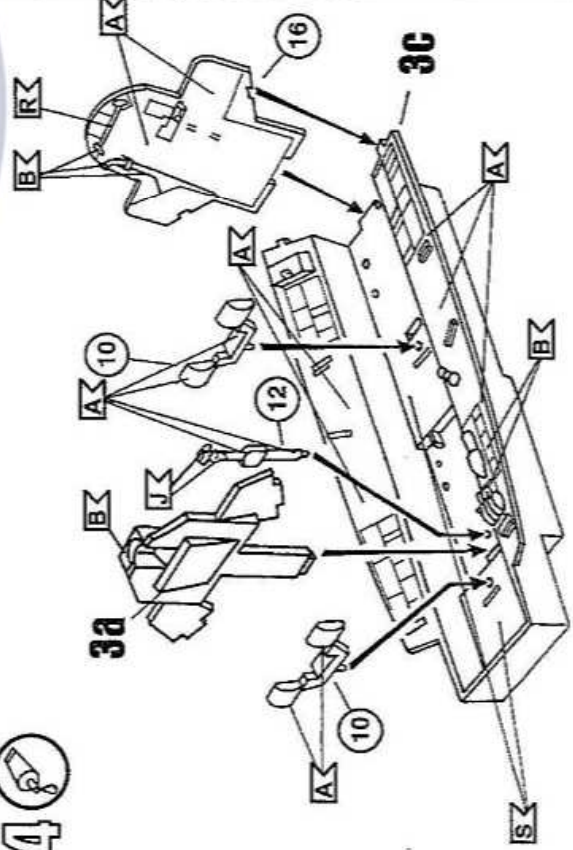
3a



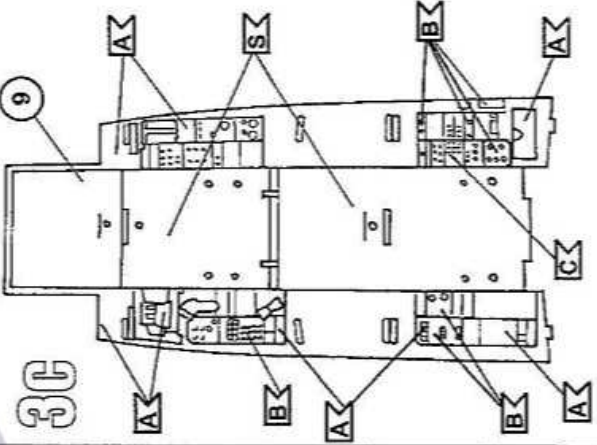
3b

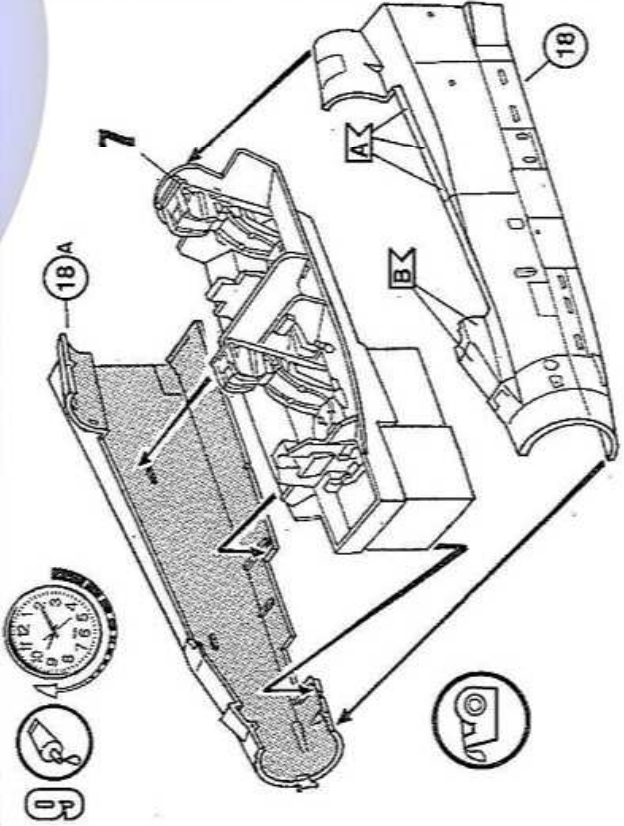
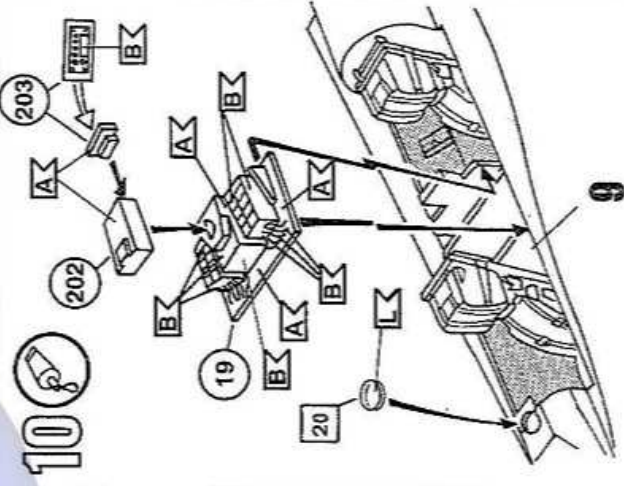
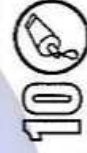
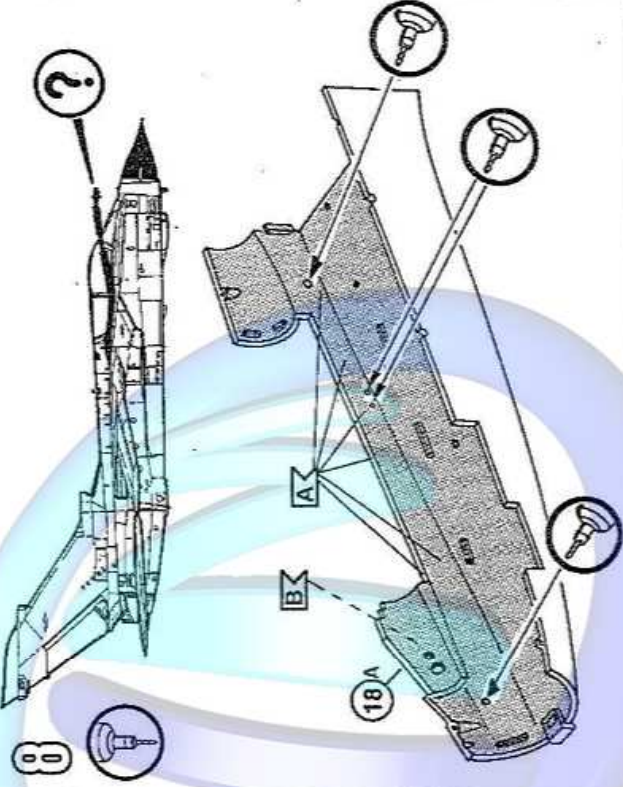
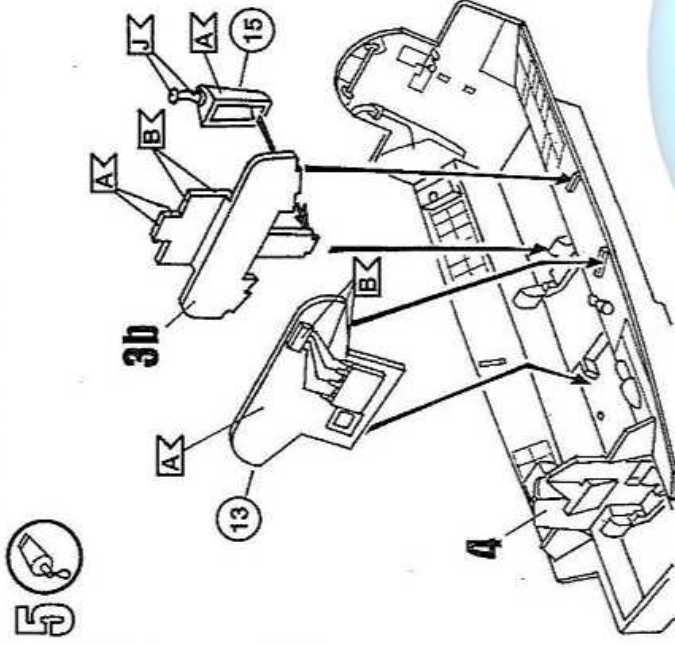
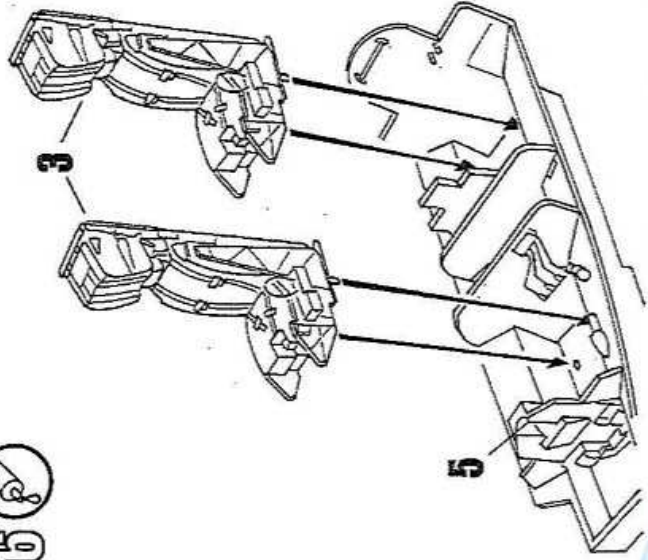


4

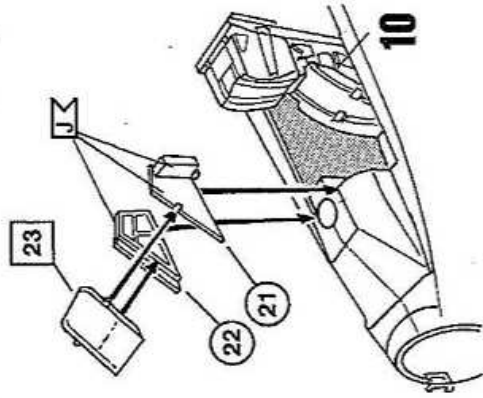


3c

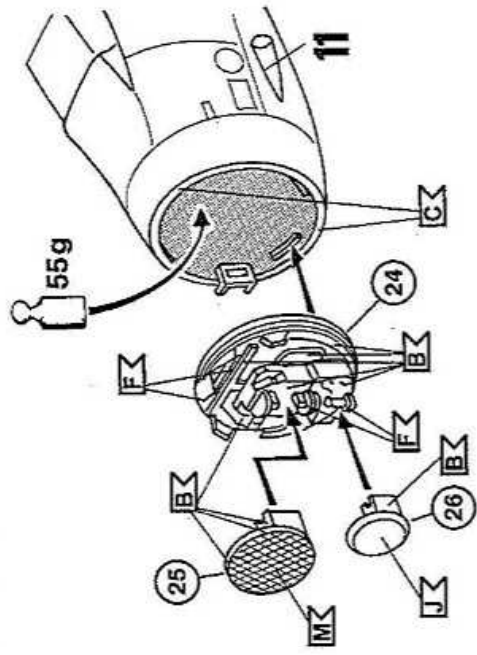




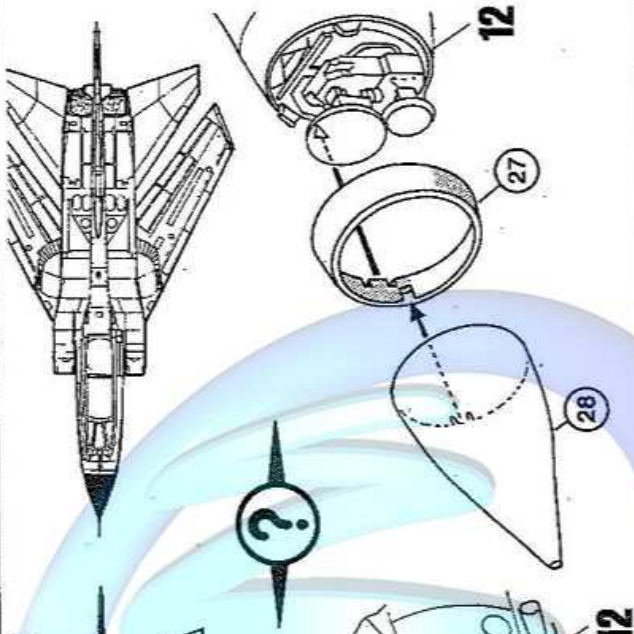
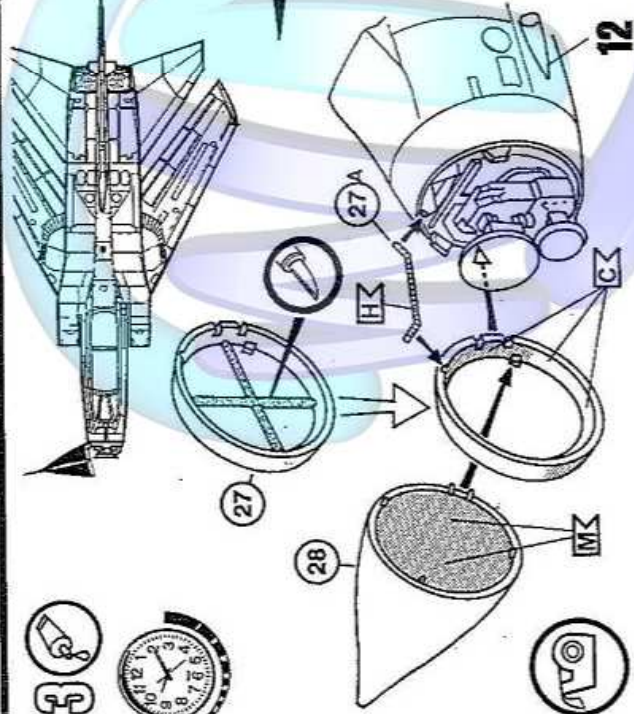
11



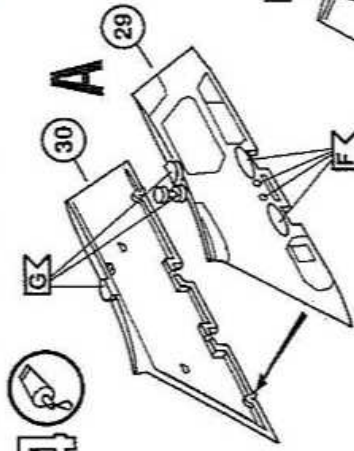
12



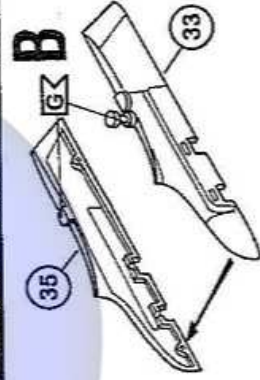
13



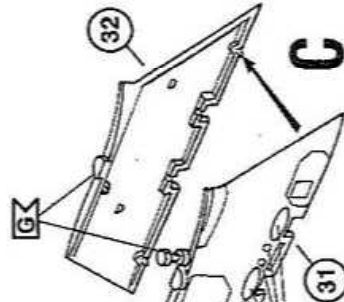
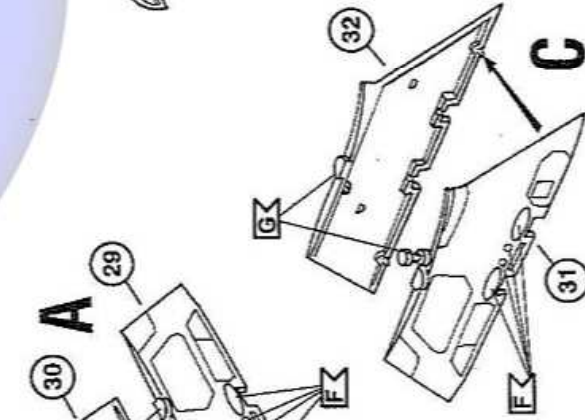
14



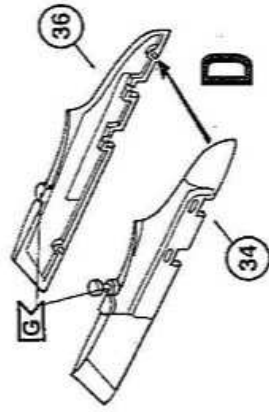
B



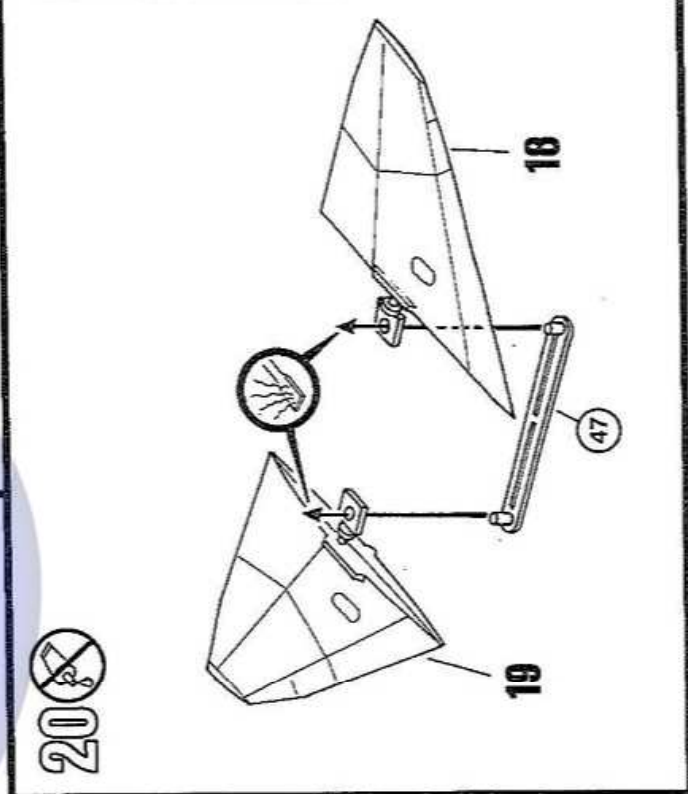
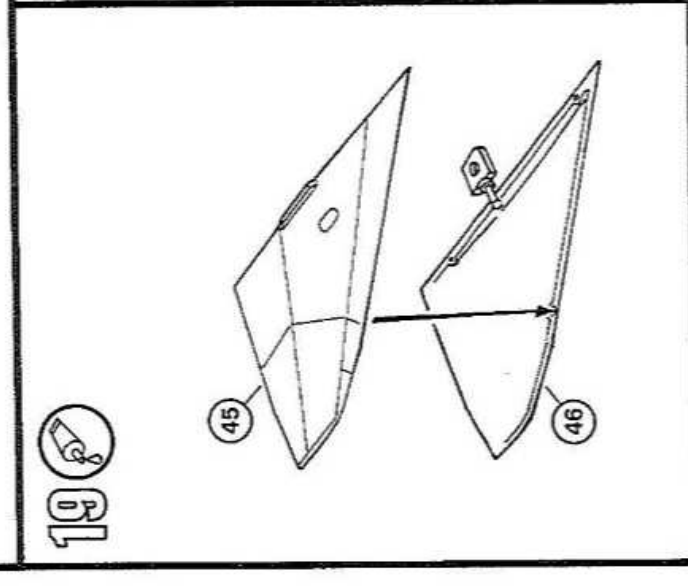
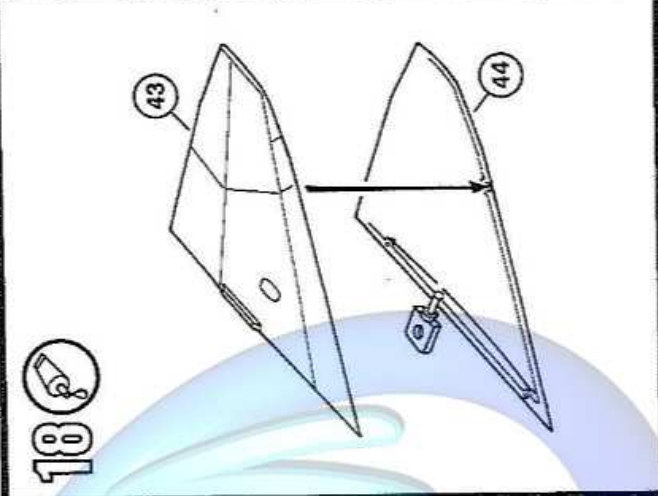
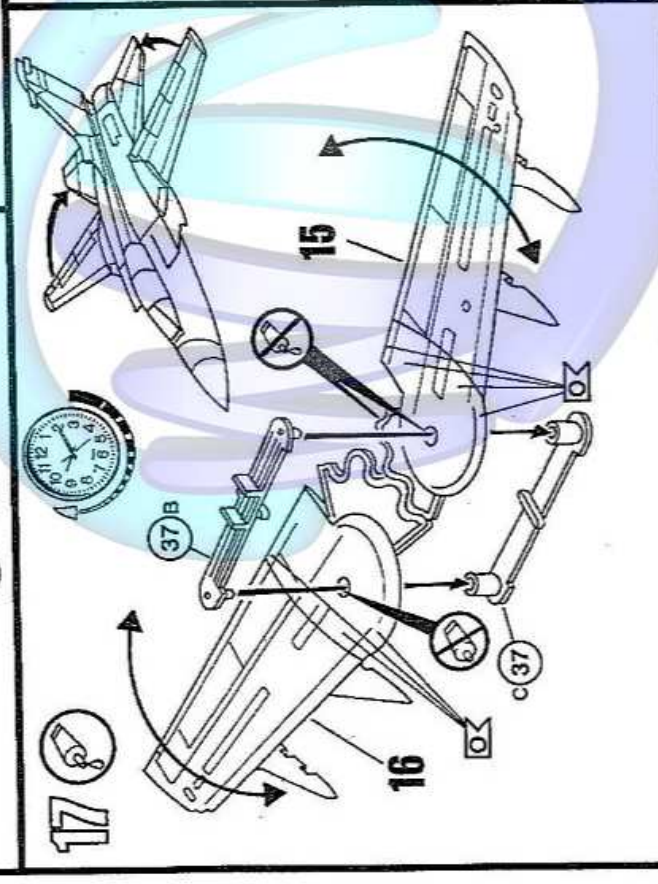
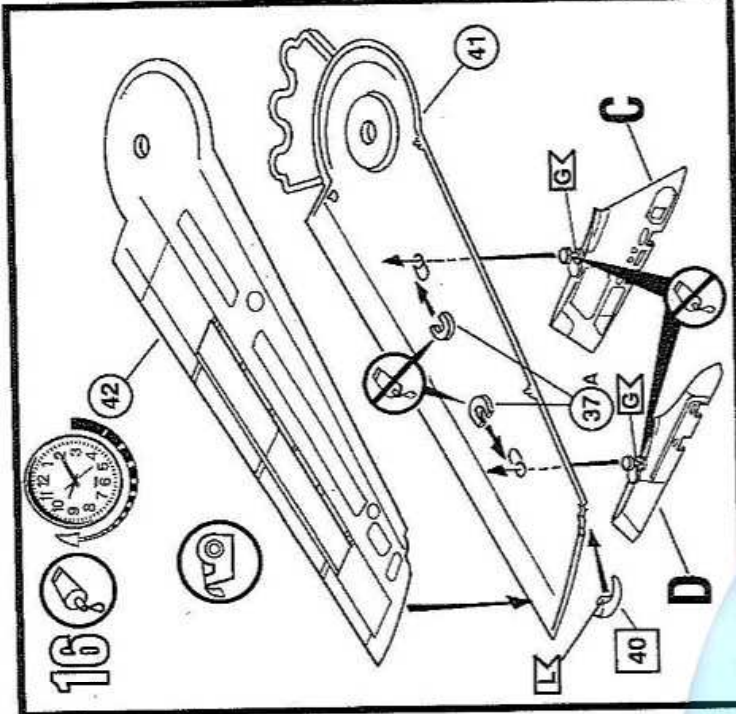
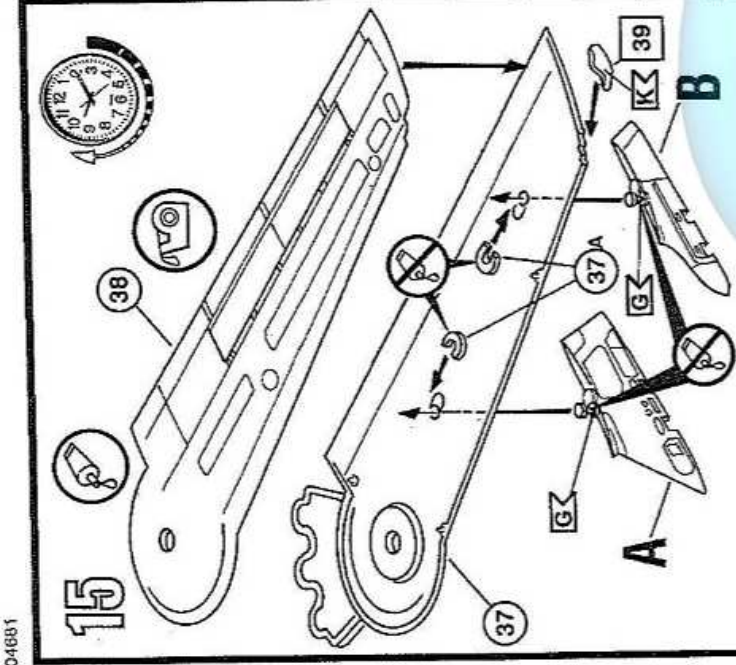
A



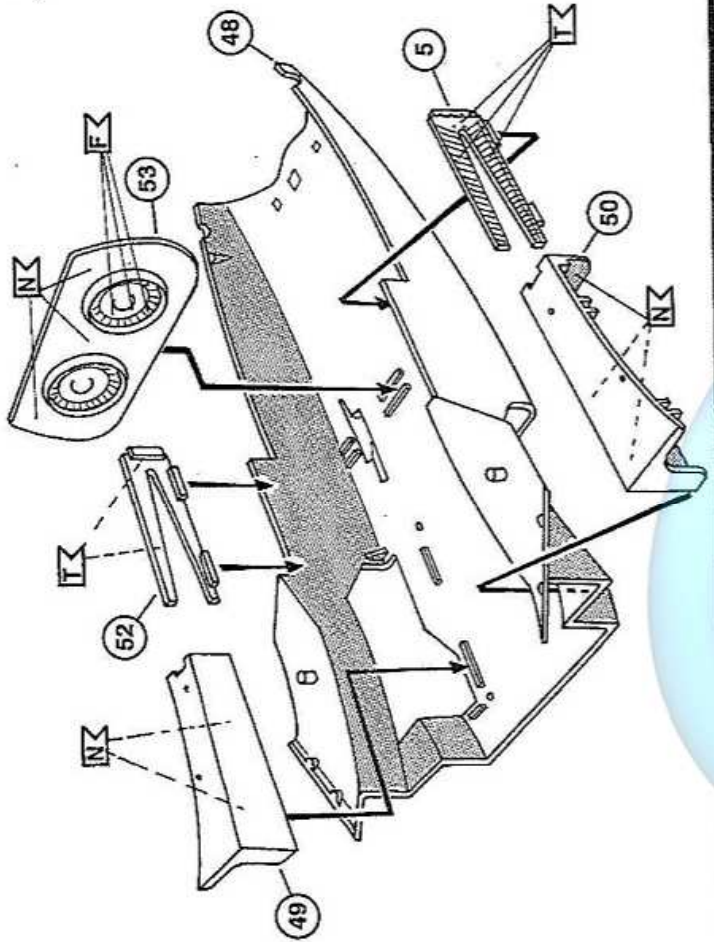
C



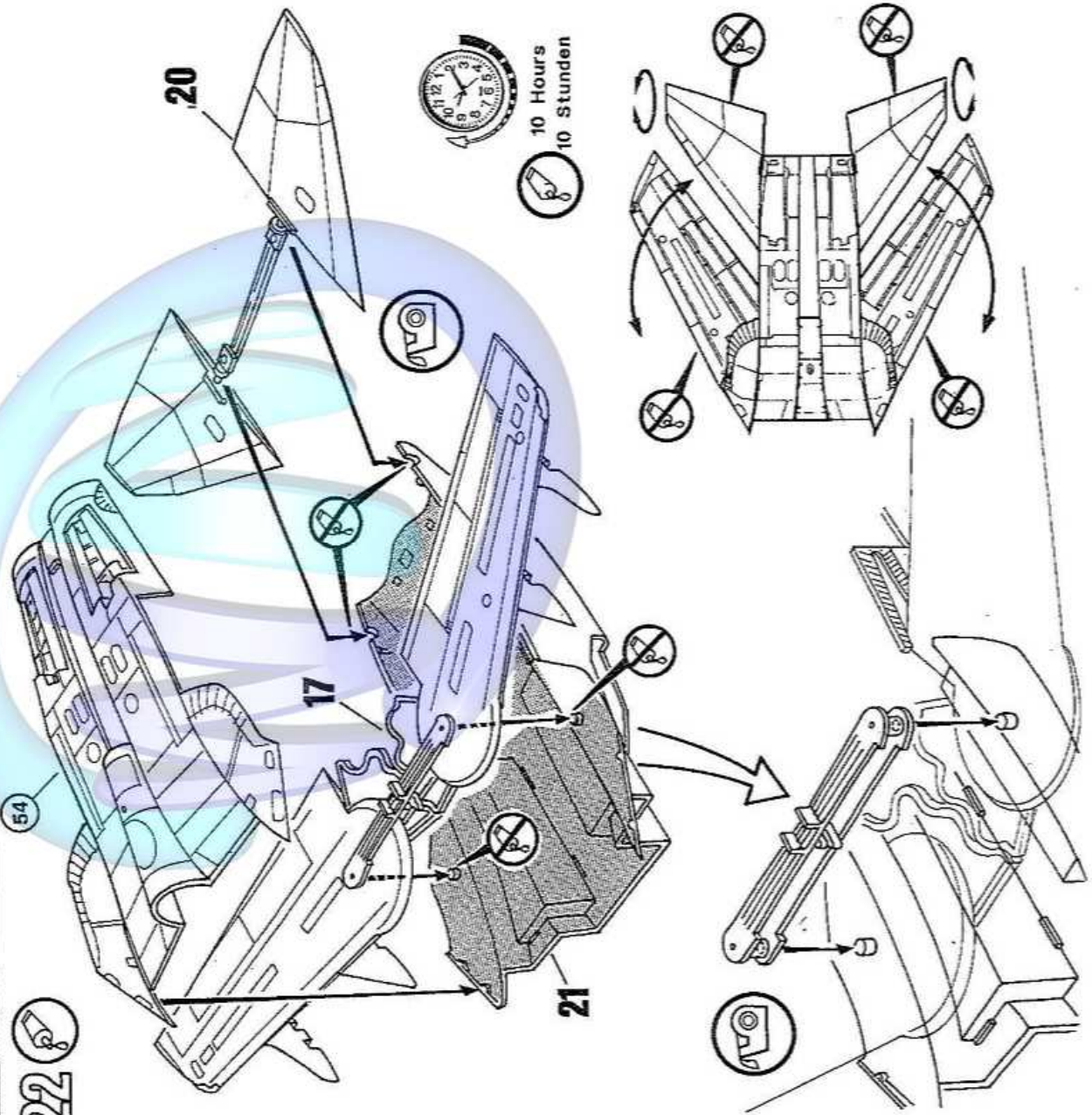
D



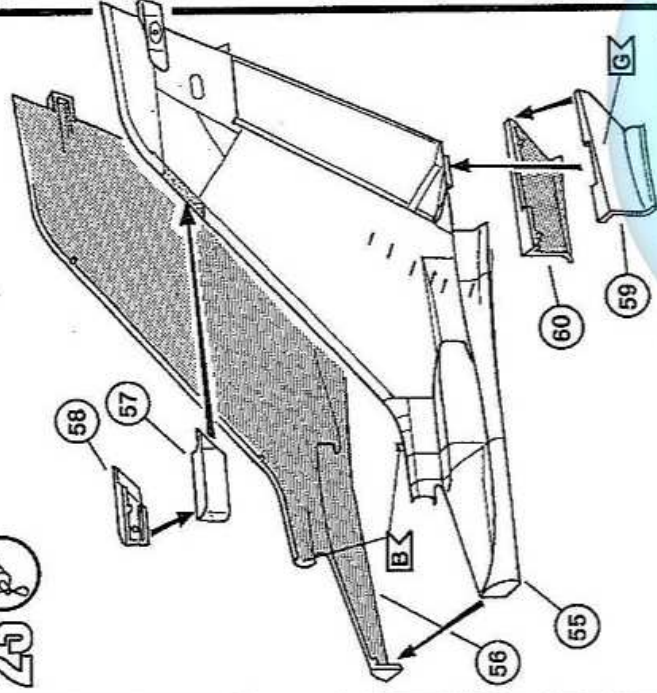
21



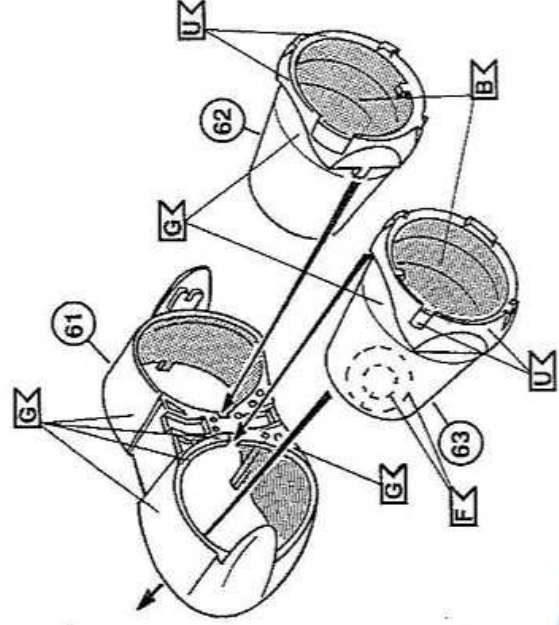
22



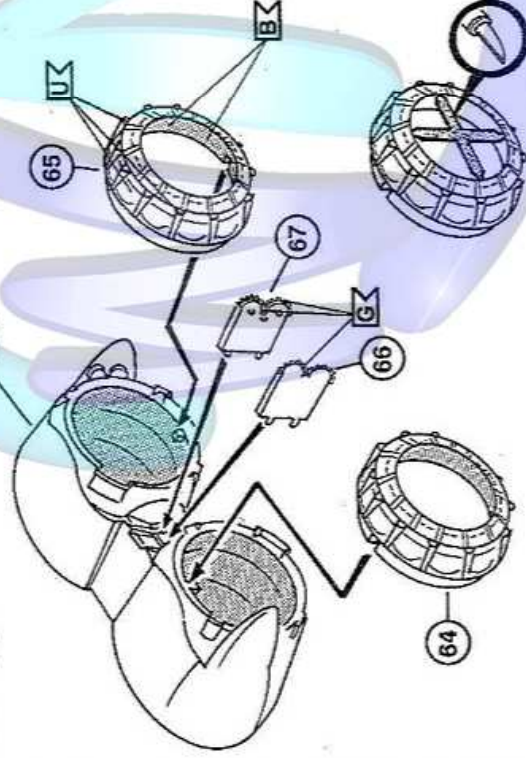
23



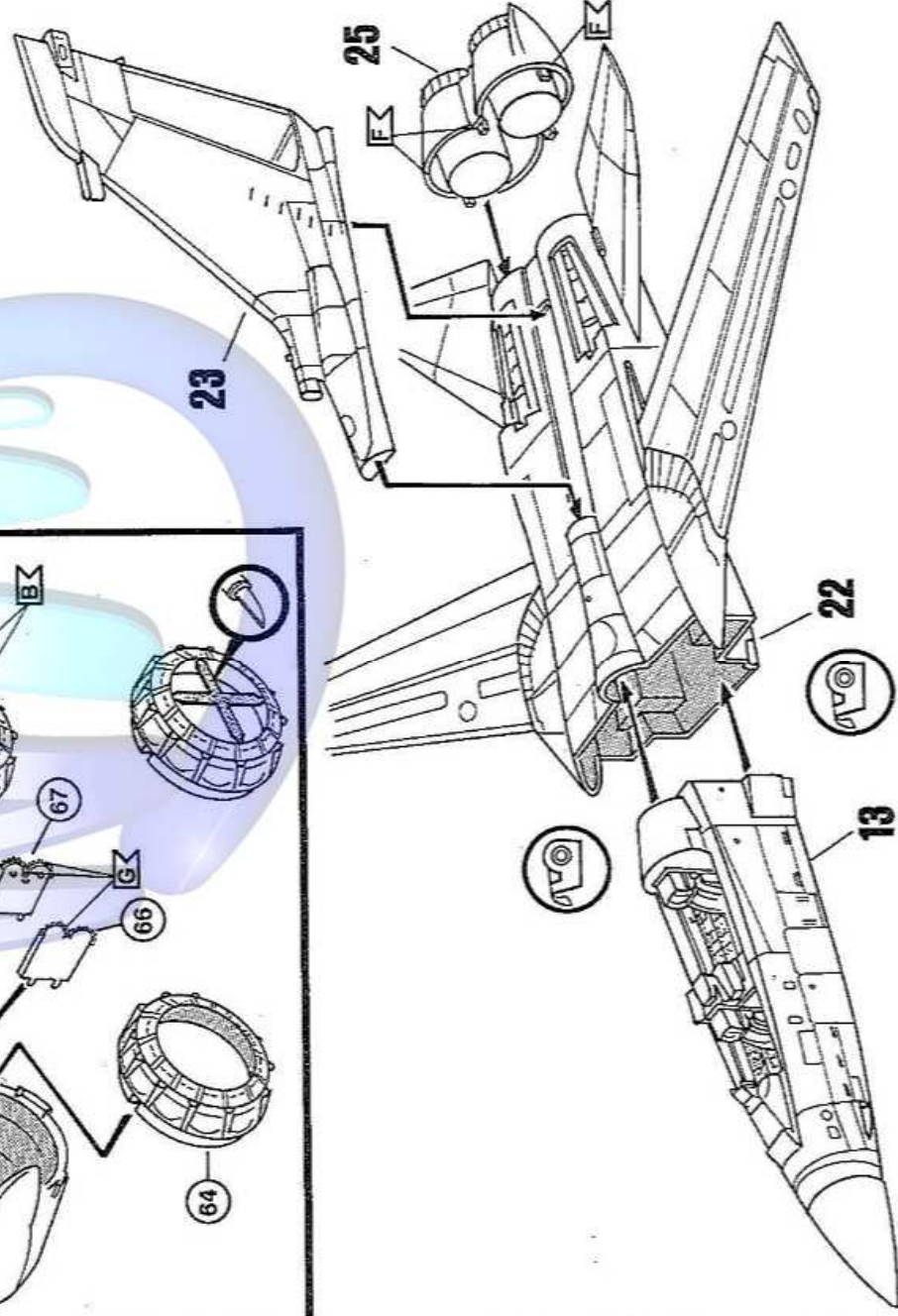
24



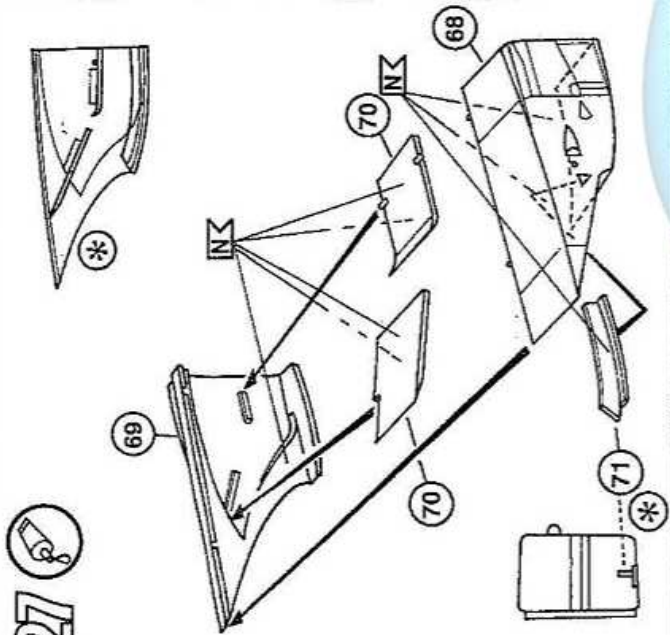
25



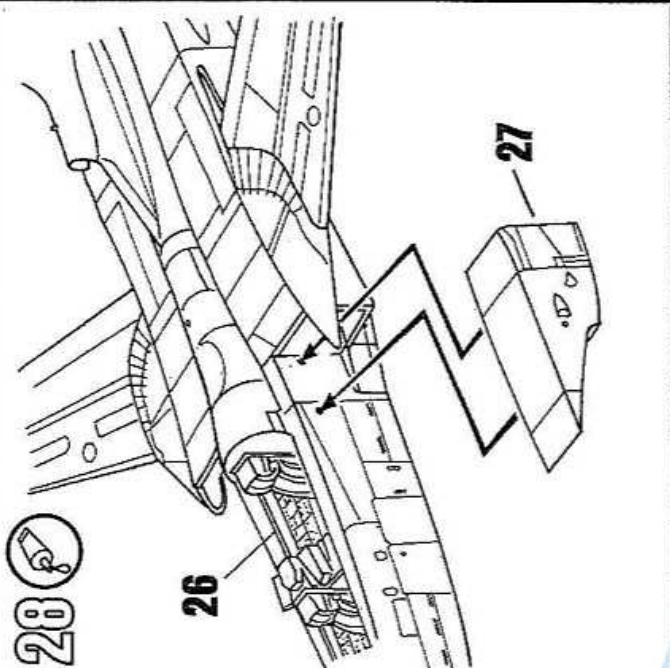
26

10 Hours
10 Stunden

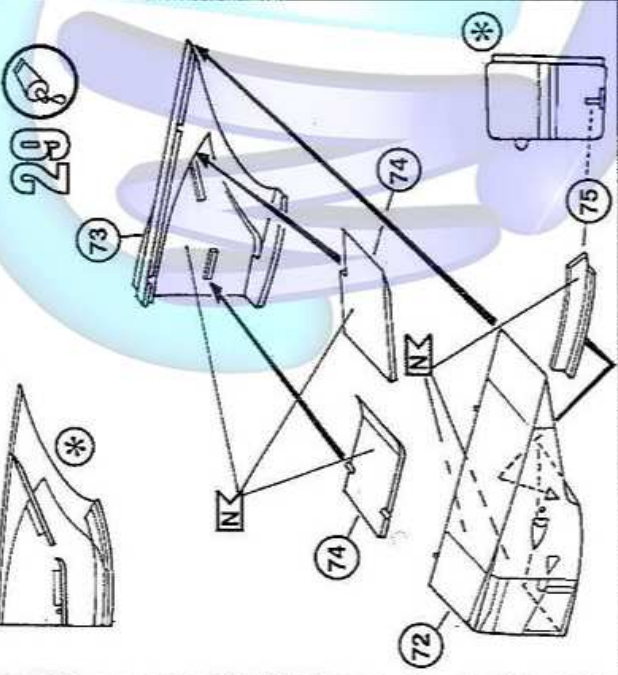
27



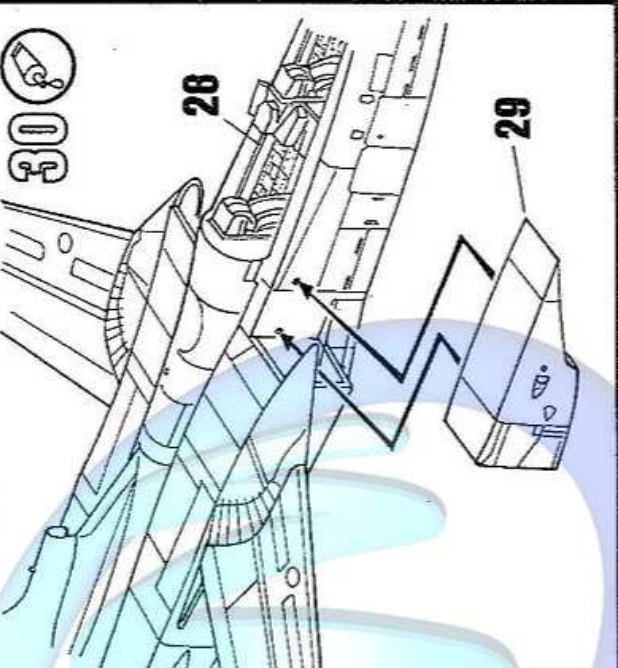
28



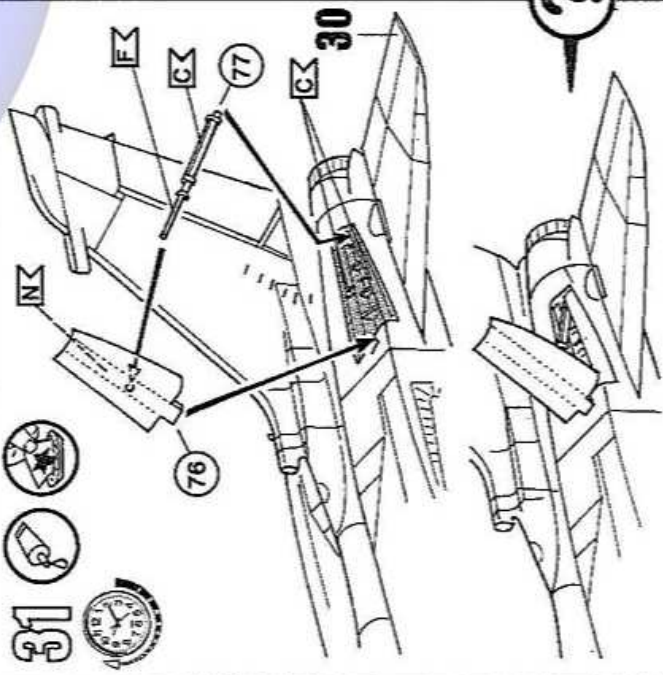
29



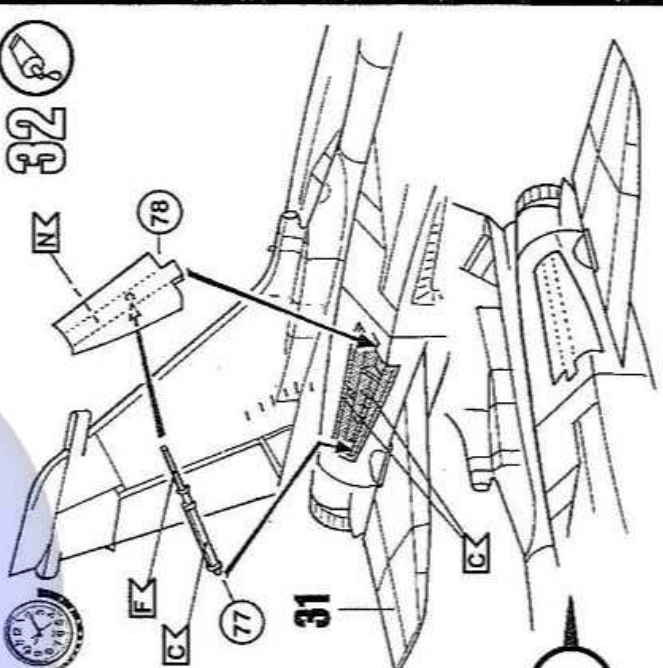
30

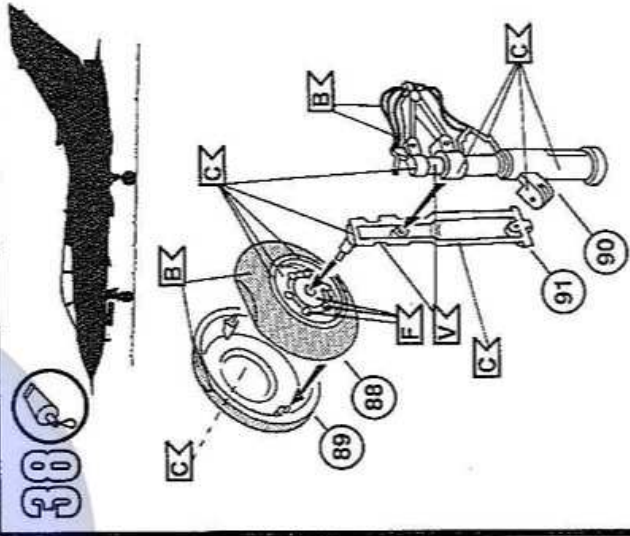
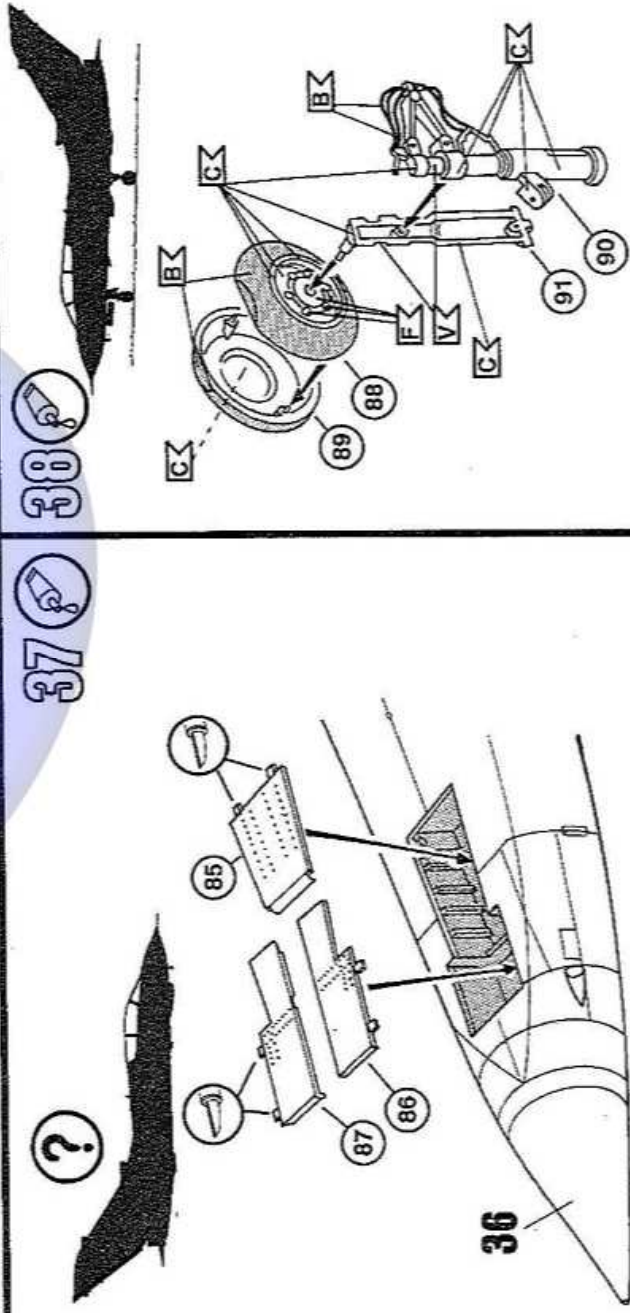
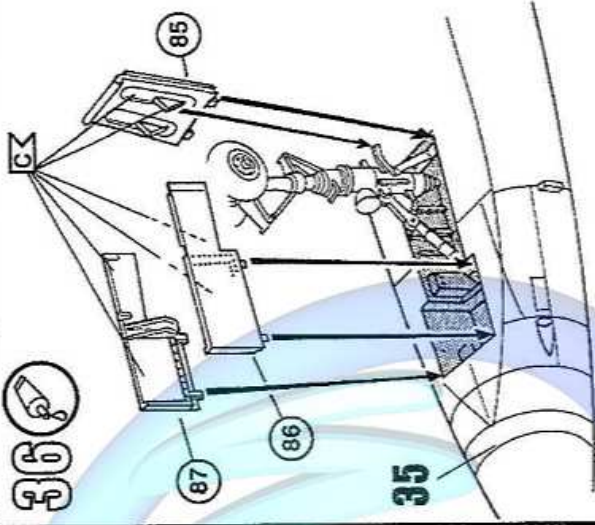
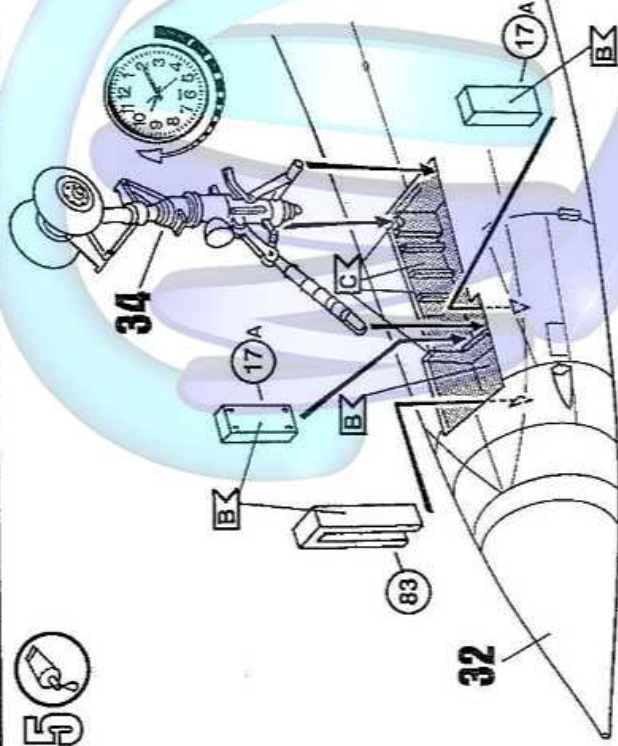
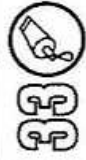
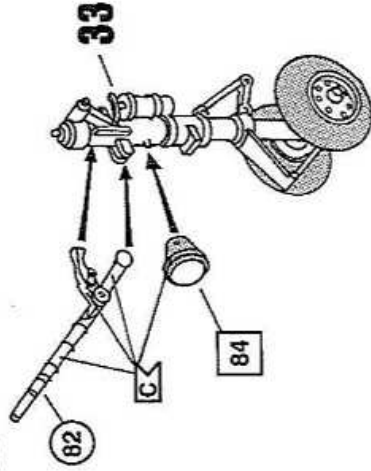
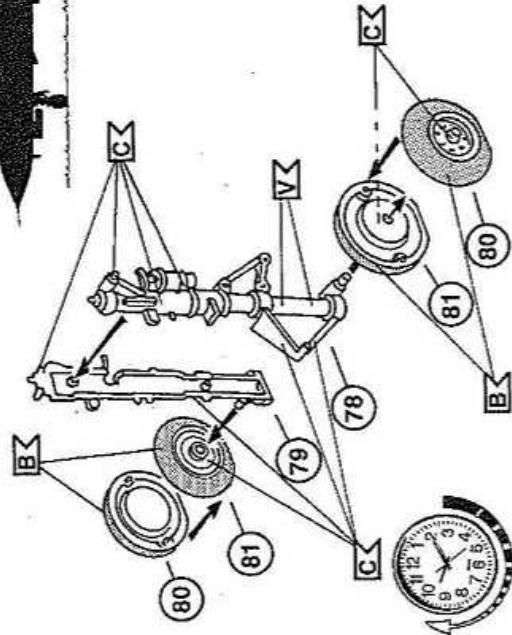
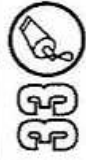


31



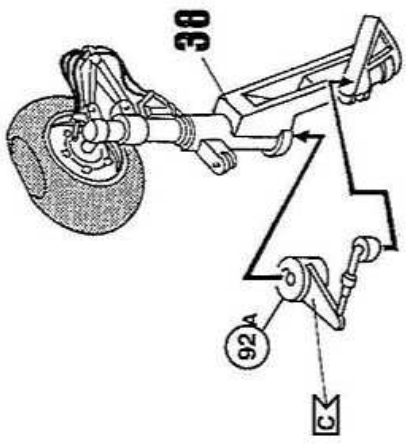
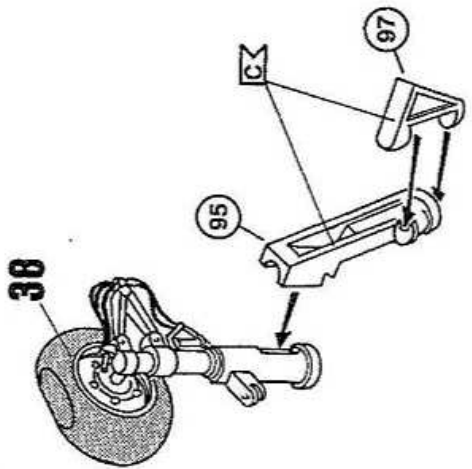
32





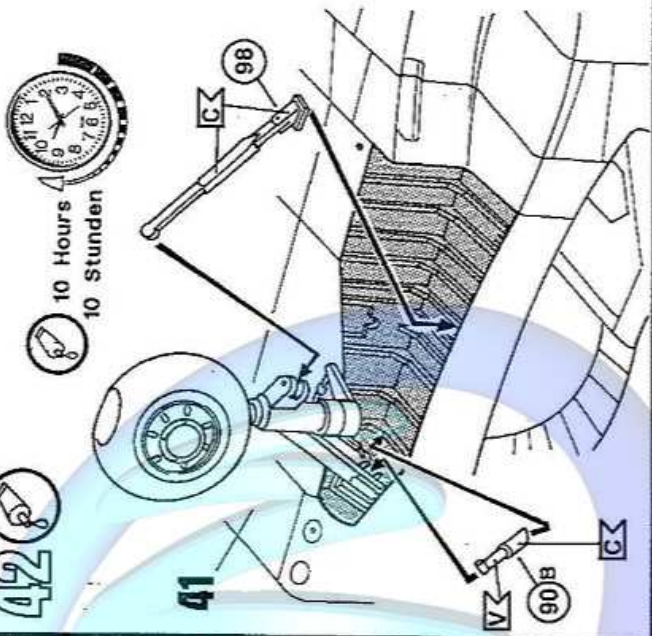
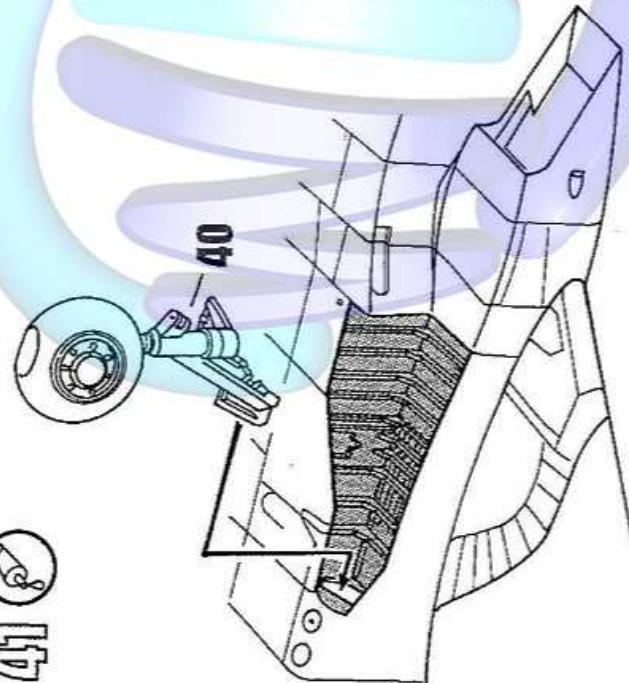
39

40



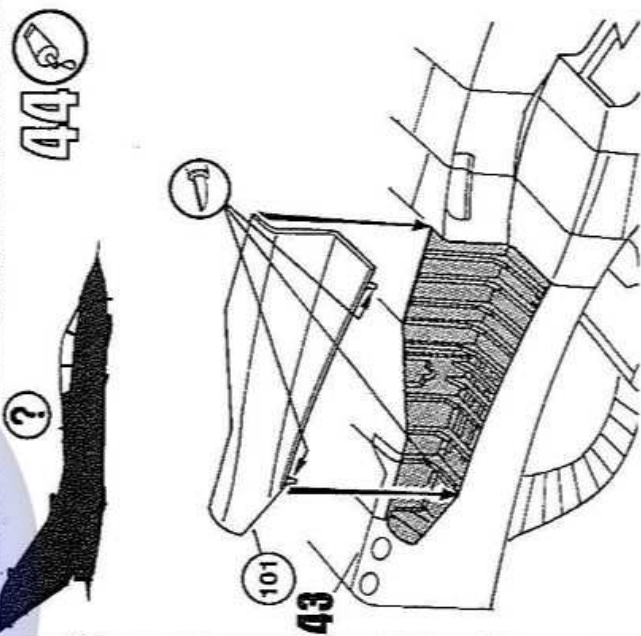
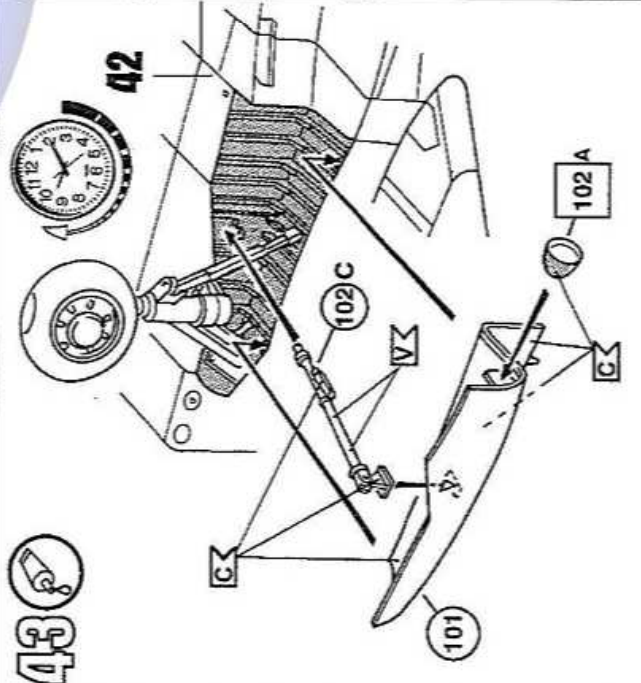
41

42

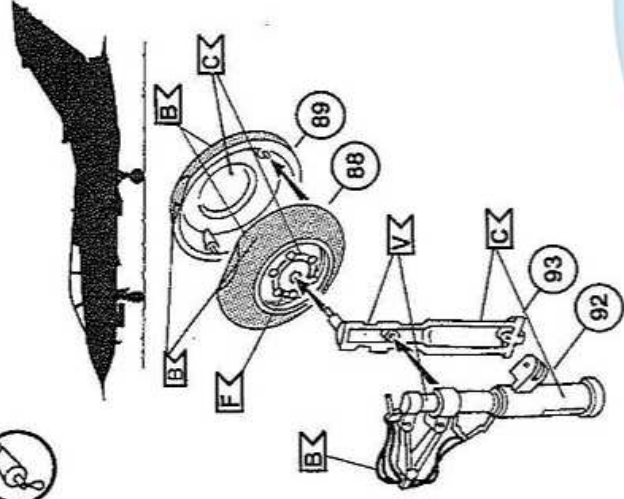


43

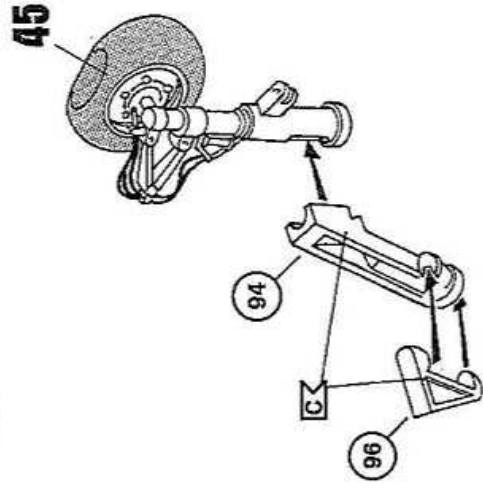
44



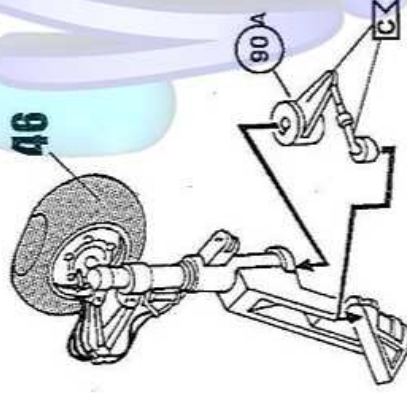
45



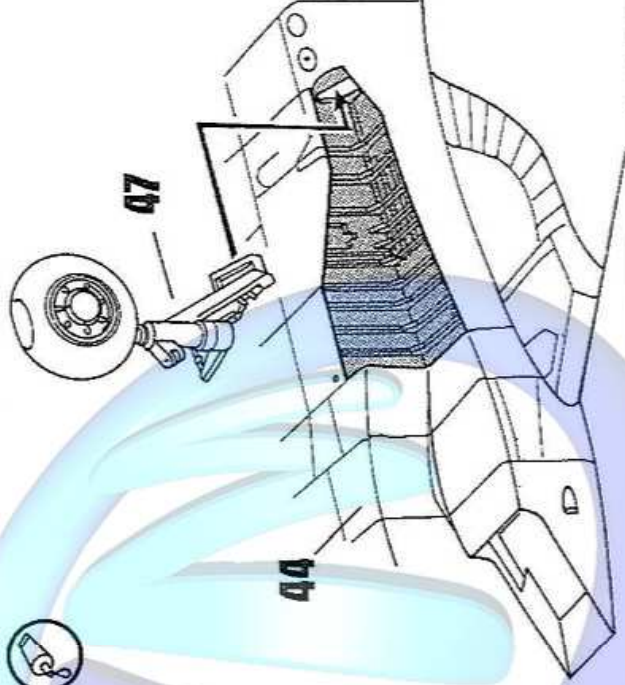
46



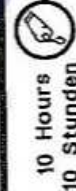
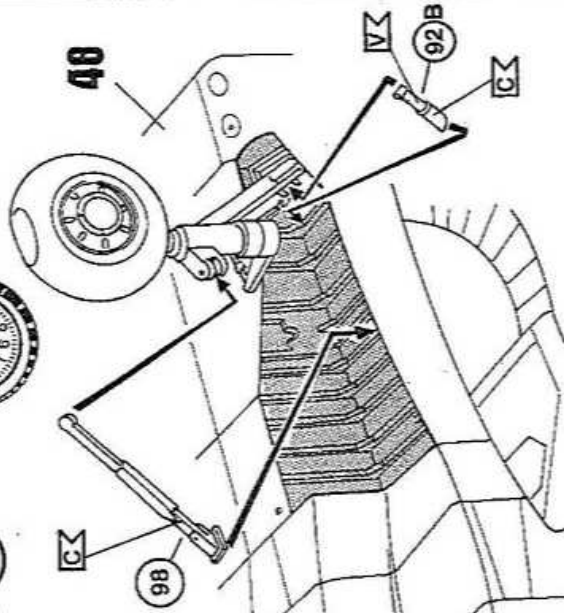
47



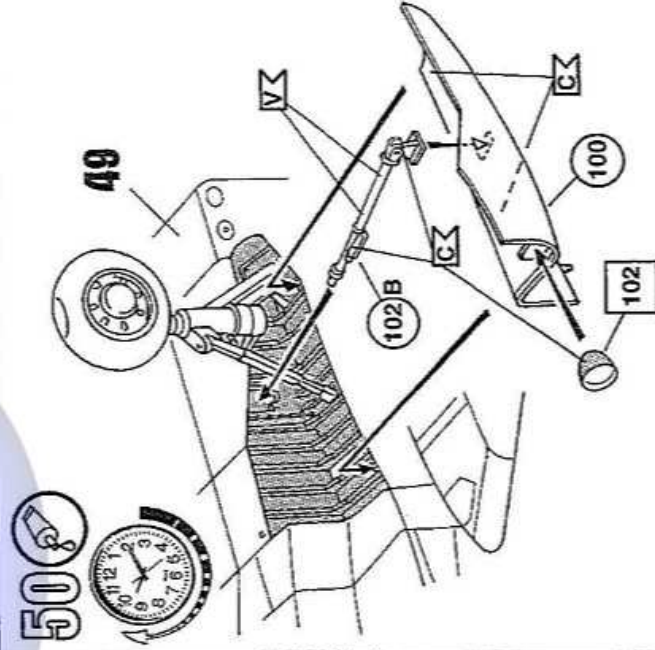
48

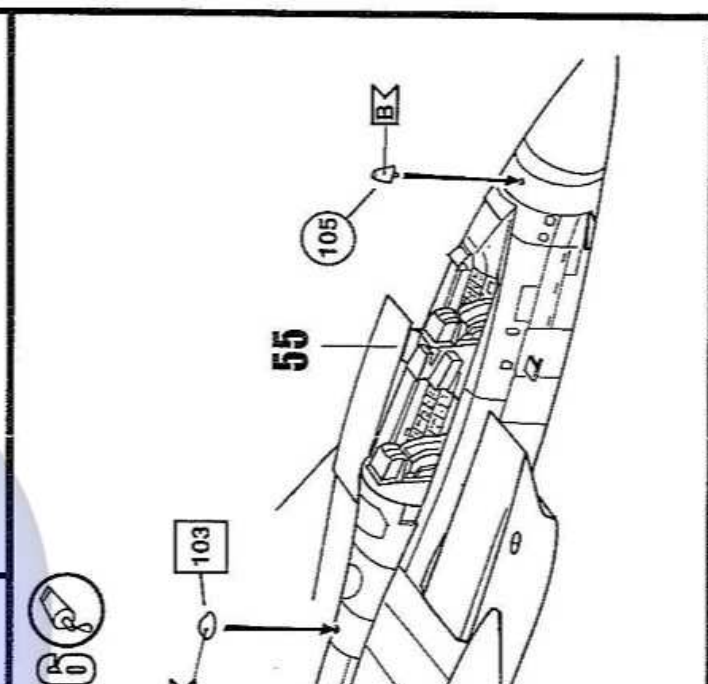
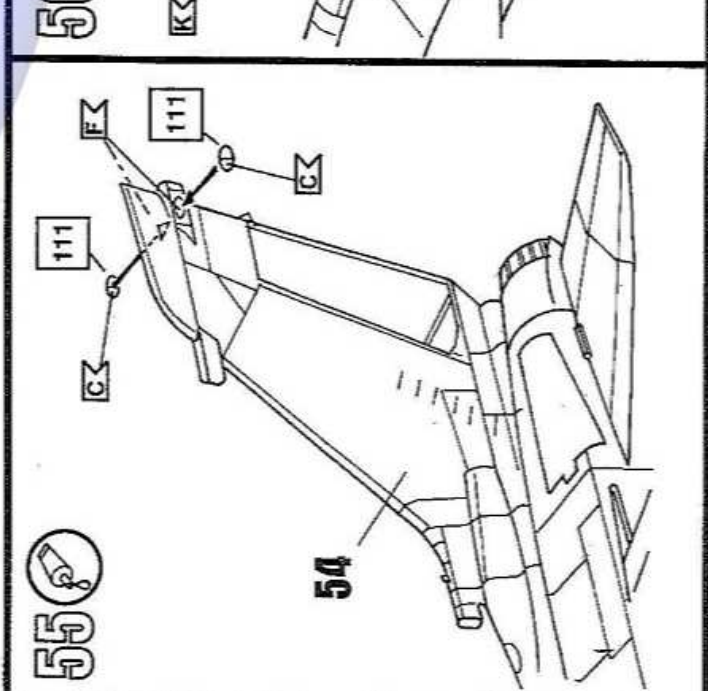
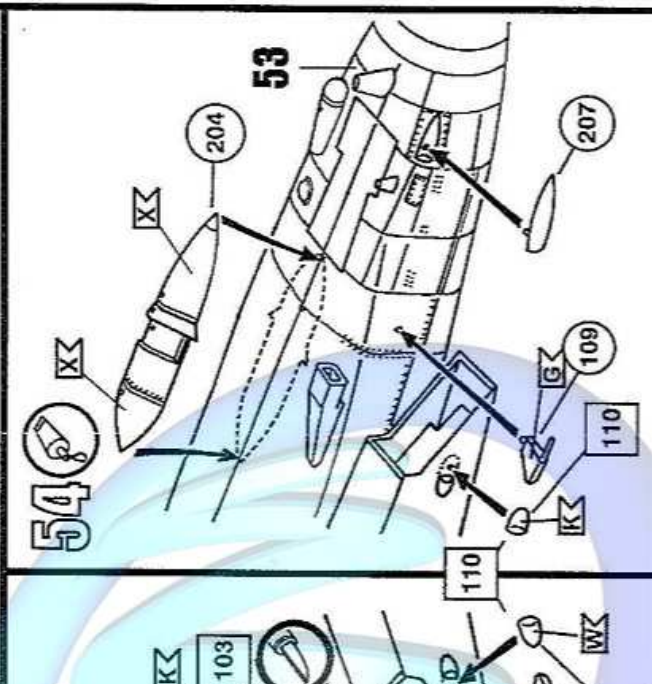
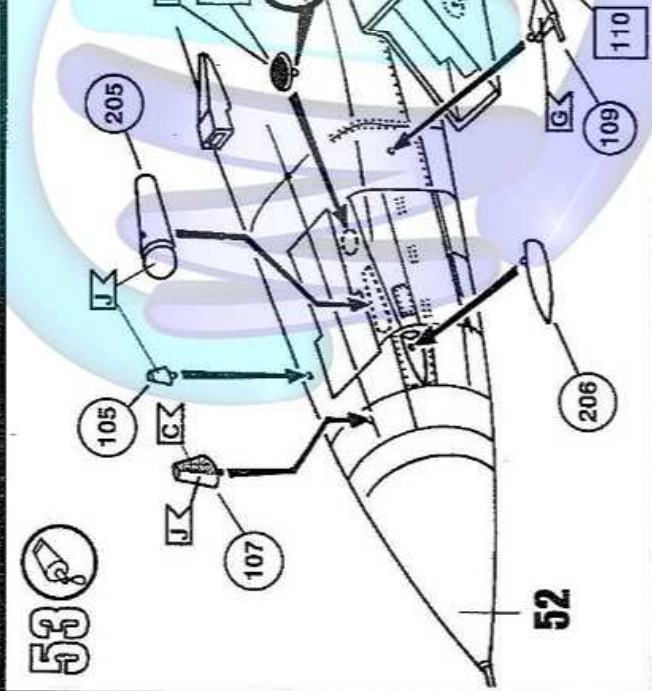
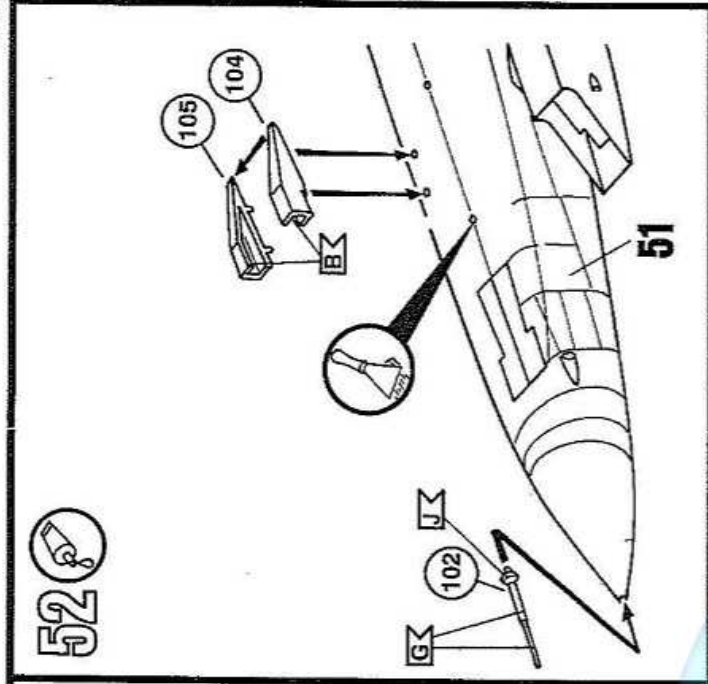
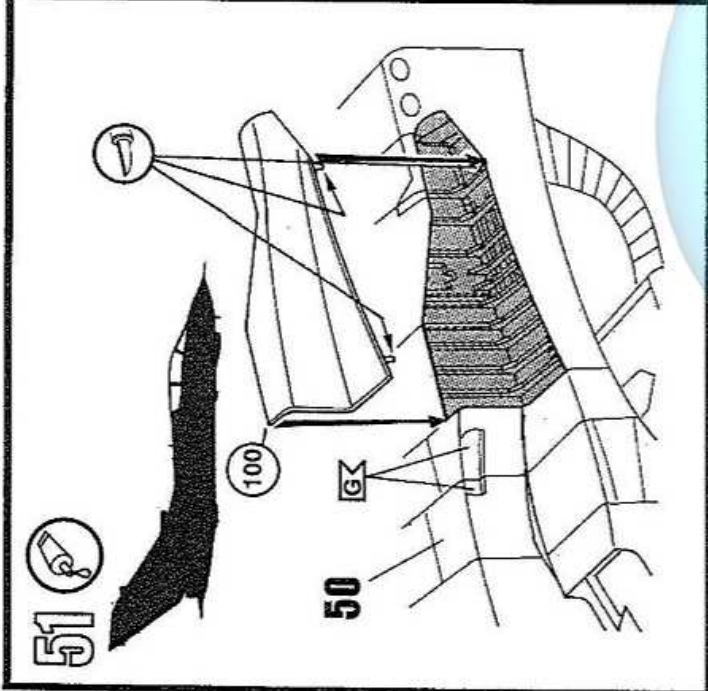


49

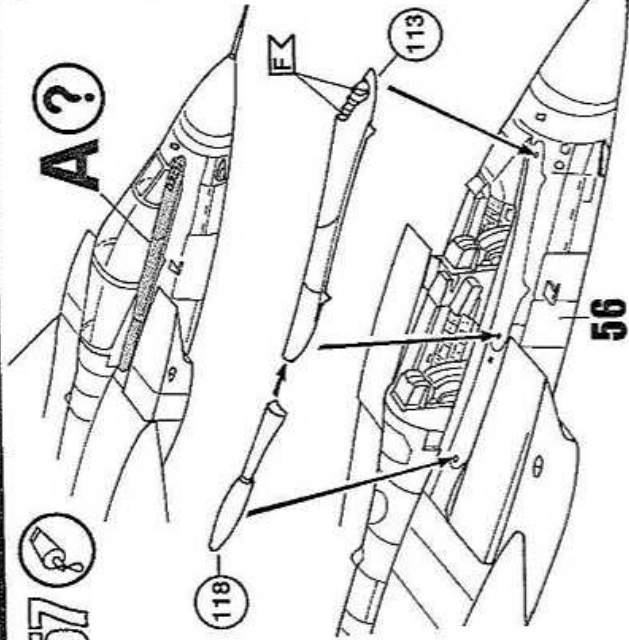
10 Hours
10 Stunden

50

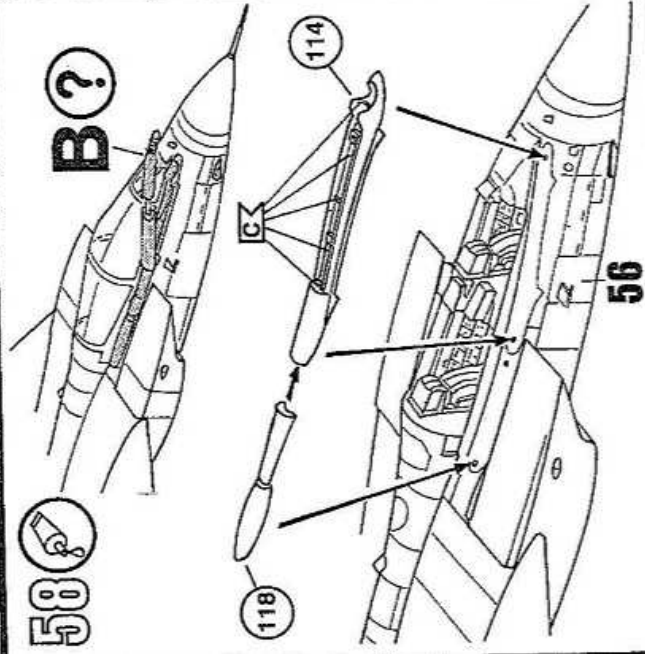




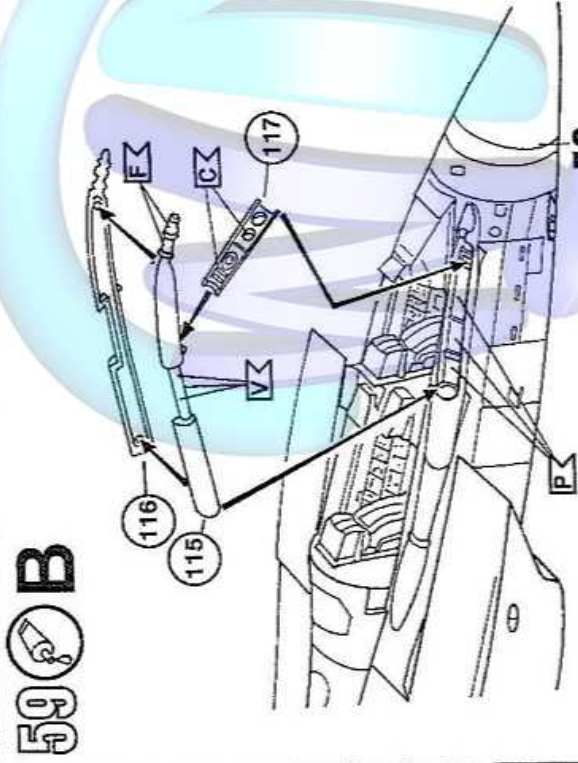
57



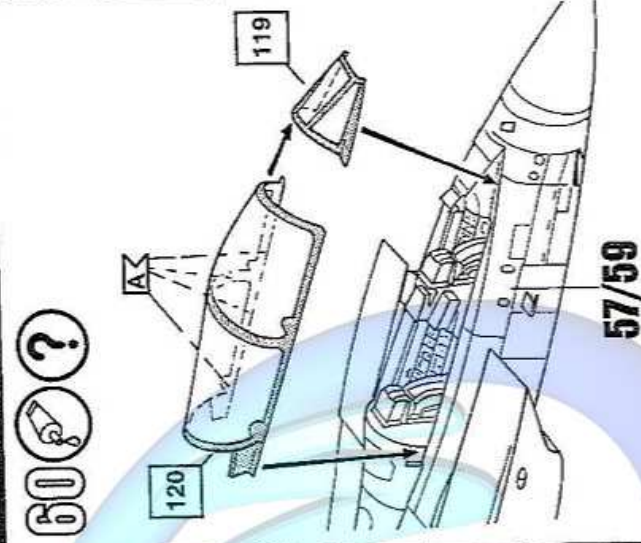
58



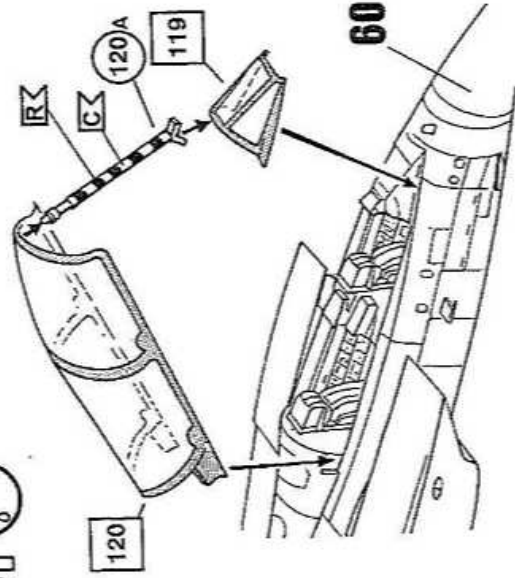
59



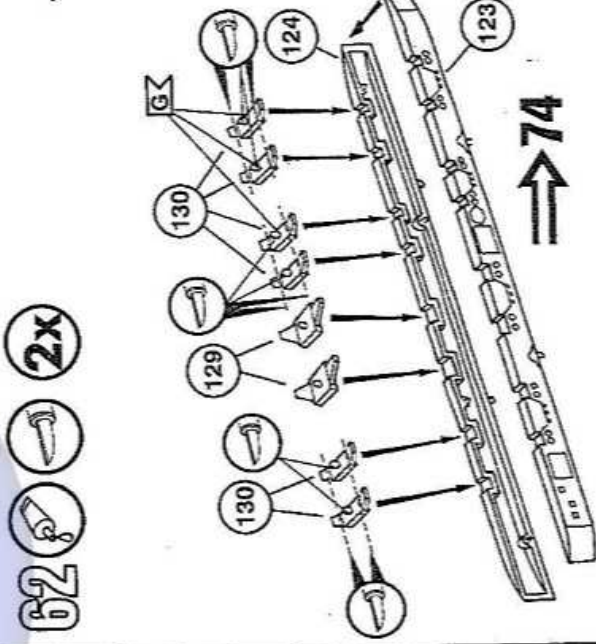
60

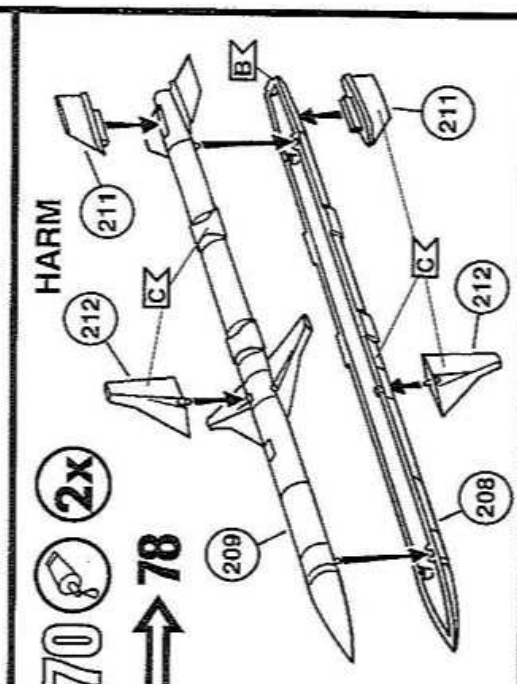
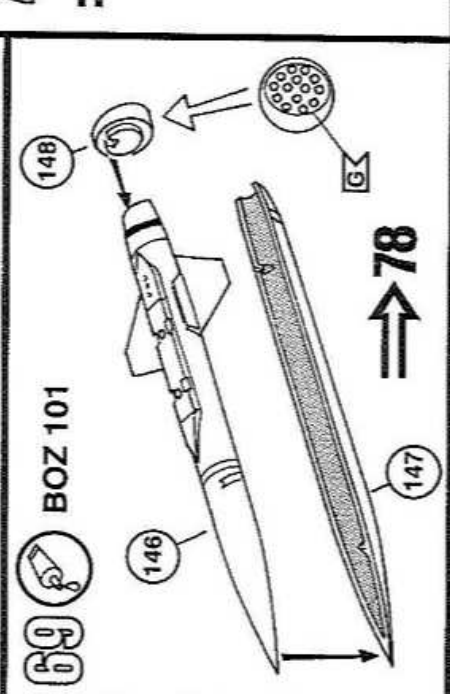
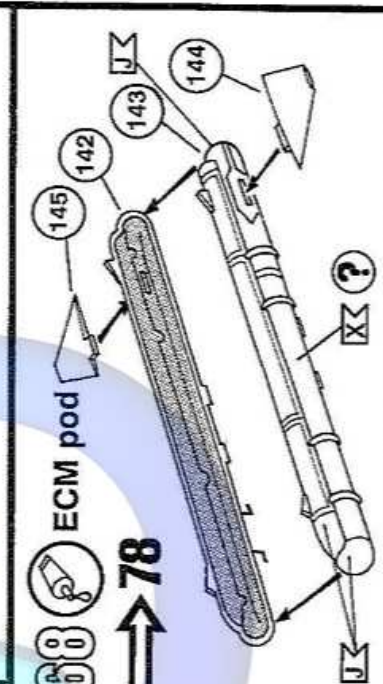
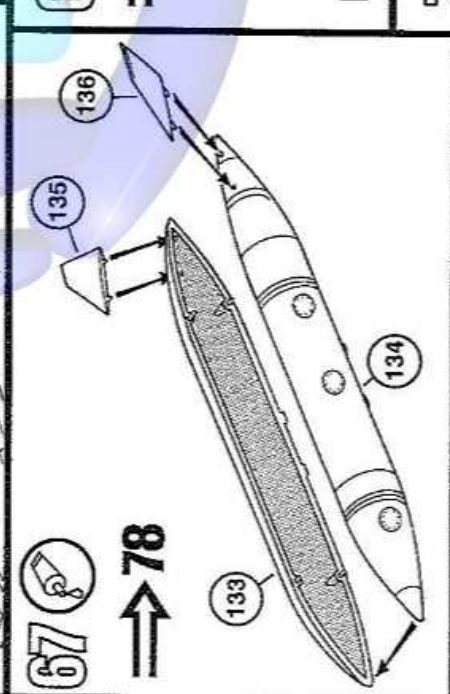
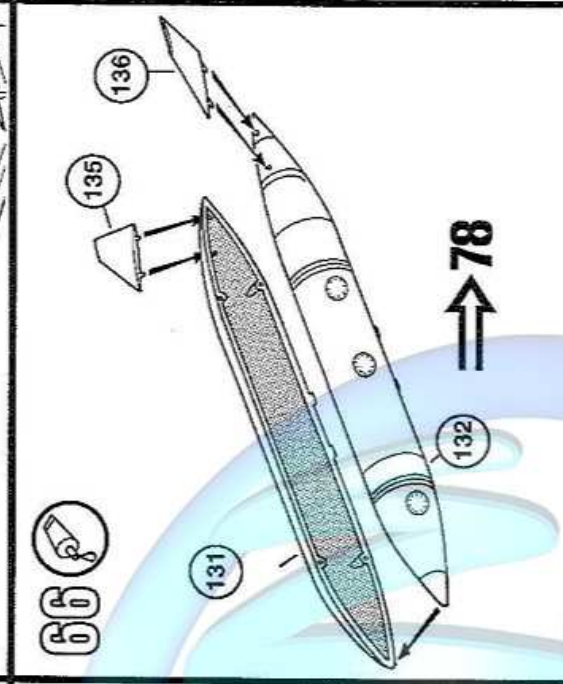
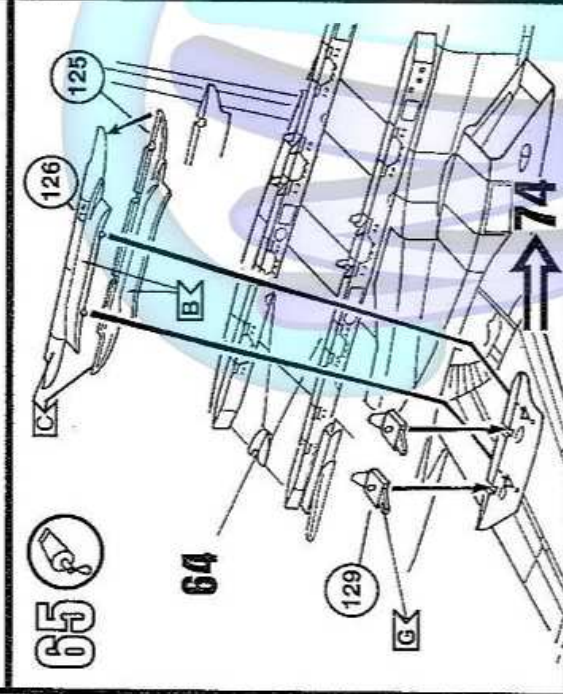
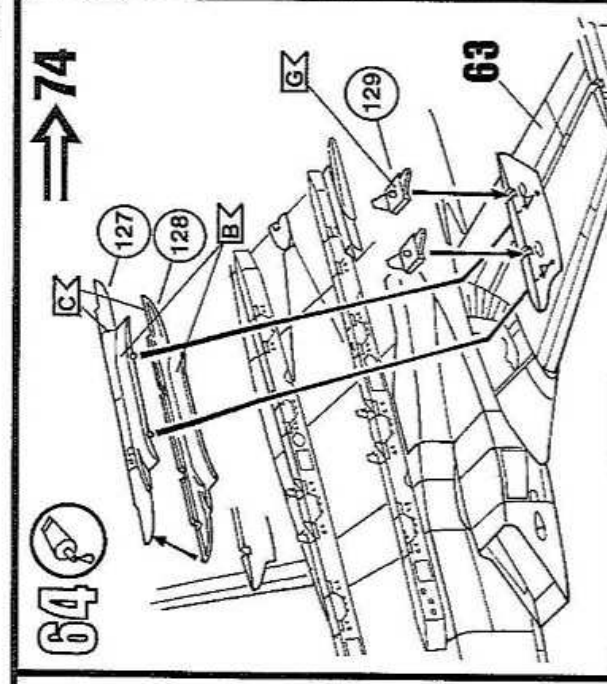
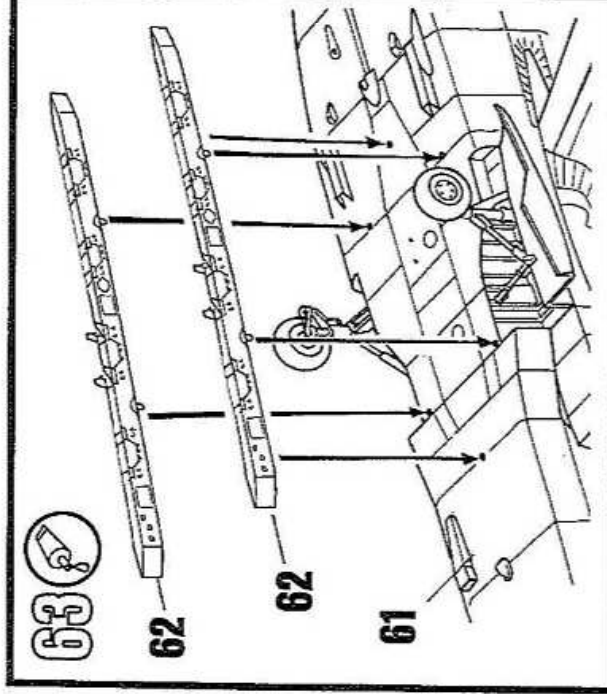


61

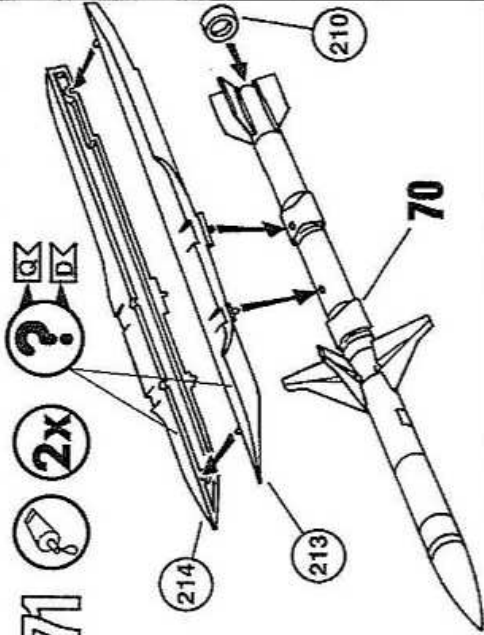


62

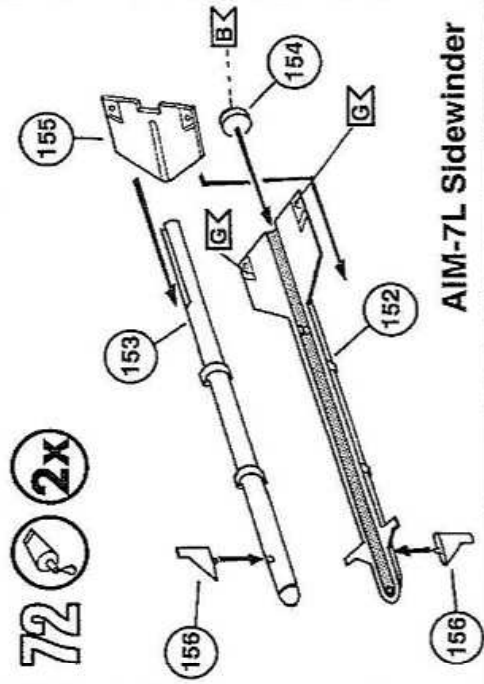




71 2x ?

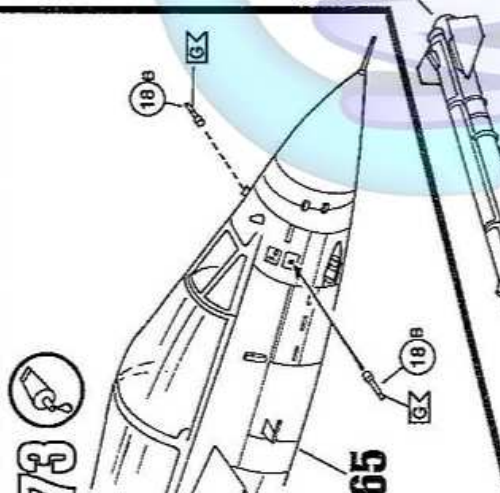


72 2x ?

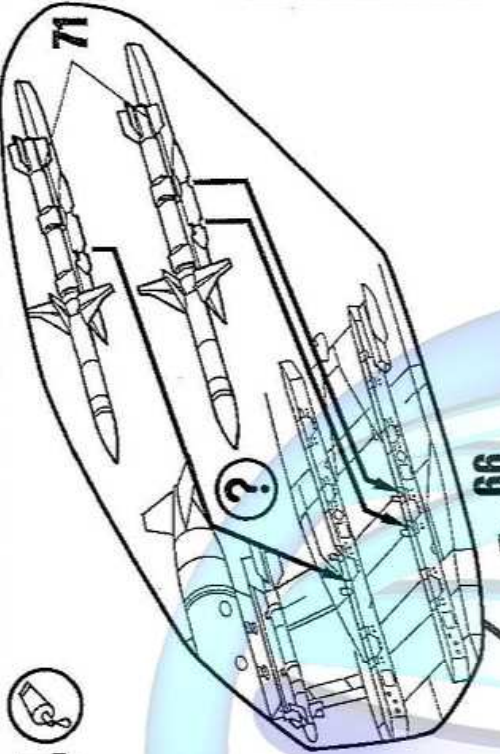


AIM-7L Sidewinder

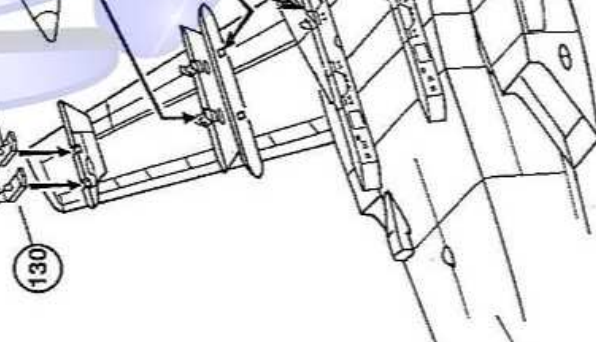
73 ?



74 ?



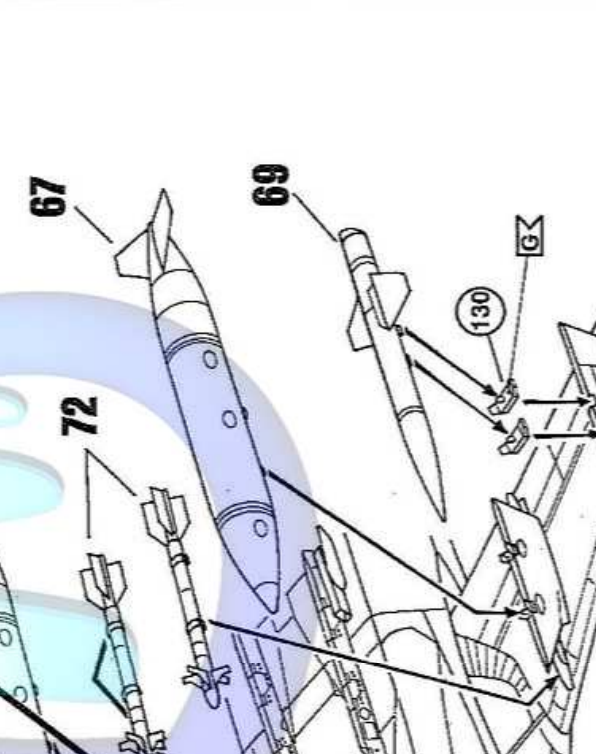
130



67

72

69



69 72 67 ?

66 66 66

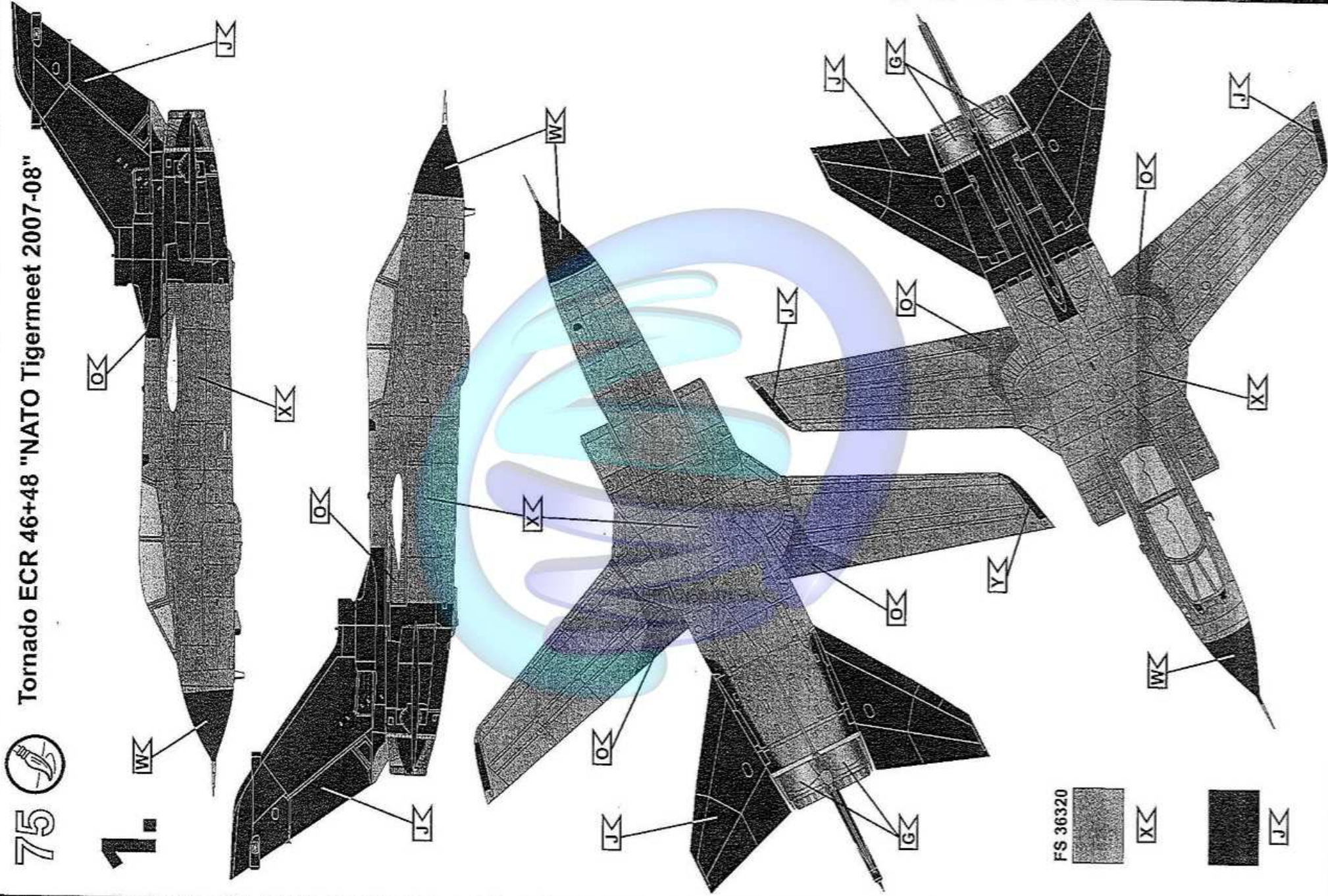
60



75 

Tornado ECR 46+48 "NATO Tigermeet 2007-08"

1.



FS 36320



XZ



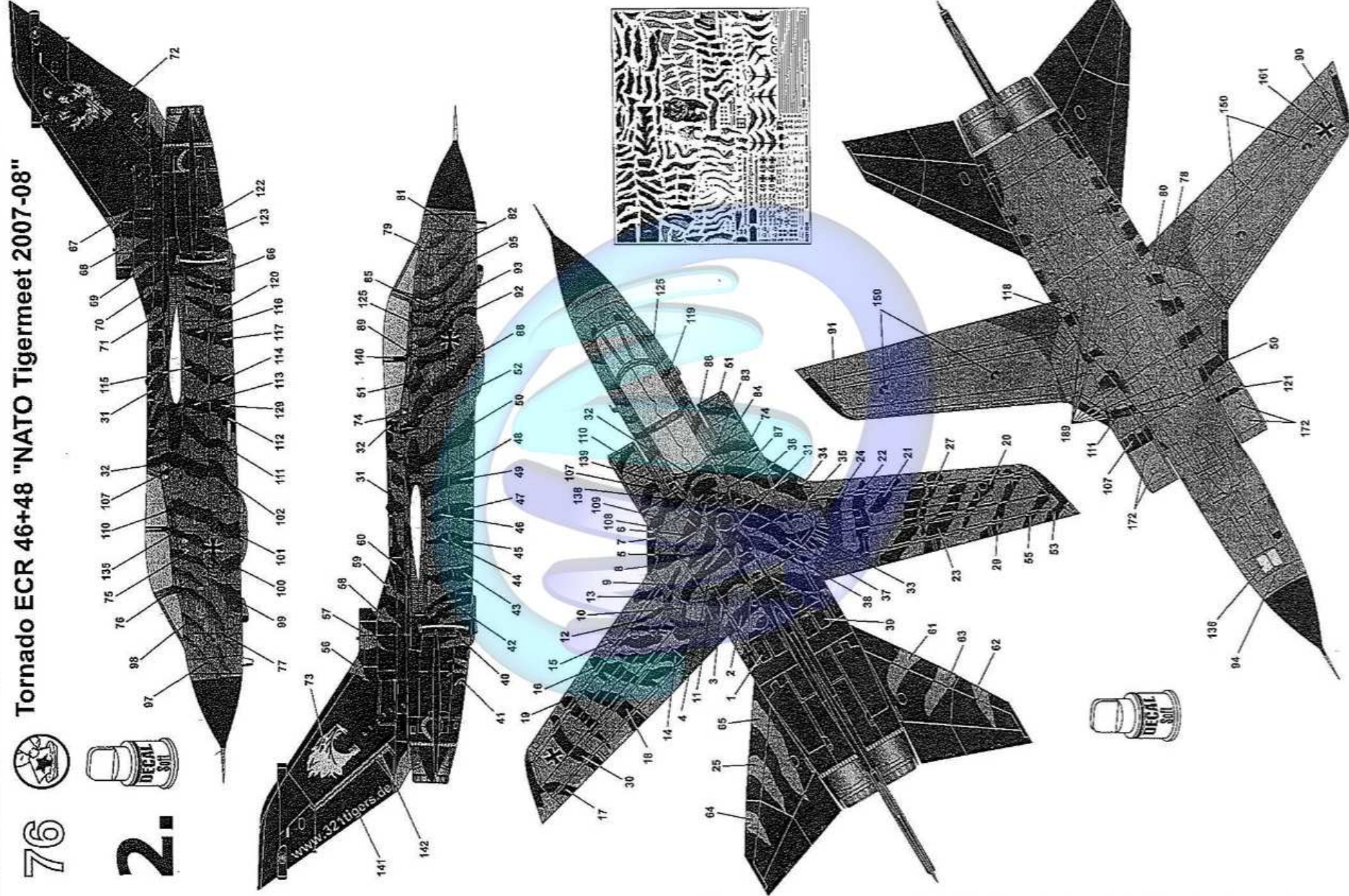
JK

76

Tornado ECR 46+48 "NATO Tigermeet 2007-08"



2.



77

3

Tornado ECR 46+48 "NATO Tigermeet 2007-08" Stencils placement

